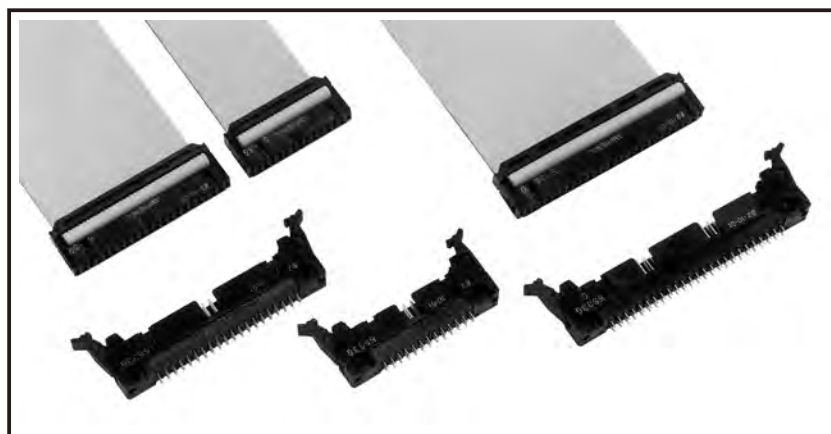


2.54mm Pitch Board to Cable Connector

FRC5 Series

DDK Ltd.



FEATURE

- UL Approved (File No. E72124)
- Conform to MIL-DTL-83503

Conforming
Standard
MIL-DTL-83503

SPECIFICATIONS

Rated Voltage	250V AC (r.m.s.)
Rated Current	1A / Contact
Insulation Resistance	1000 M Ω min. at 500V DC
Contact Resistance	15 m Ω max.
Dielectric Withstanding Voltage	500V AC (r.m.s.) / 1 minute
Operating Temperature	-55°C~ +85°C
Applicable Cable	AWG28 (Stranded Cable / Solid Cable) AWG30 (Solid Cable)

MATERIAL/FINISH



Socket

Item	Material / Finish
Housing	PBT Resin(UL94V-0) / Black
Cover	PBT Resin(UL94V-0) / Black
Contact	Copper Alloy / Au over Ni Plating
Strain Relief	PBT Resin (UL94V-0) / Black

Header

Item	Material / Finish
Housing	PBT Resin (UL94V-0) / Black
Contact	Copper Alloy / Au over Ni Plating
Lock Lever	PBT Resin (UL94V-0) / Black
Spring Pin	Stainless Steel

© Specifications and/or dimensions in this catalogue are subject to change without notice.

210909 Your catalogue checking the latest specifications with our drawings would be highly appreciated.

<http://www.ddknet.co.jp>

Socket Connector

FRC5-A026-3T0S-FA

Cover Style
 0 : Open-end
 A : Closed-end

Note) Closed-end cover for 64 contacts are not available

Number of Contact
 10, 14, 16, 20, 26,
 30, 34, 40, 50, 60, 64

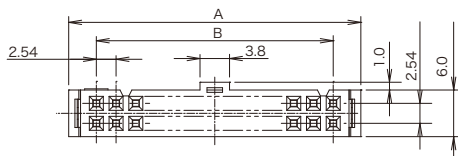
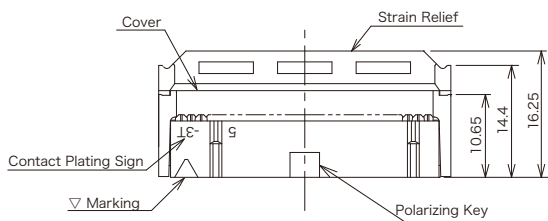
Contact Plating
 1 : Au (0.8 μm) over Ni Plating
 3 : Au (Flash) over Ni Plating

Plating (Termination Area)
 T : Sn-Ag Plating

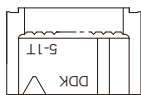
FA : Lead Free

Strain Relief
 N : without Strain Relief
 S : with Strain Relief

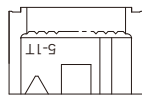
Polarizing Key
 0 : 10 No Key
 14, 16, 20, 26, 30, 34, 40 1 Key
 50, 60, 64 2 Keys (H=22.86mm)
 A : 50, 60, 64 1 Key
 C : 60, 64 2 Keys (H=27.94mm)
 D : 10 1 Key



Part Number	Number of Contact	A	B
FRC5-AX10-XXXX-FA	10	17.27	10.16
FRC5-AX14-XXXX-FA	14	22.35	15.24
FRC5-AX16-XXXX-FA	16	24.89	17.78
FRC5-AX20-XXXX-FA	20	29.97	22.86
FRC5-AX26-XXXX-FA	26	37.59	30.48
FRC5-AX30-XXXX-FA	30	42.67	35.56
FRC5-AX34-XXXX-FA	34	47.75	40.64
FRC5-AX40-XXXX-FA	40	55.37	48.26
FRC5-AX50-XXXX-FA	50	68.07	60.96
FRC5-AX60-XXXX-FA	60	80.77	73.66
FRC5-AX64-XXXX-FA	64	85.85	78.74



FRC5-Ax10-xx0x-FA



FRC5-Ax10-xxDx-FA



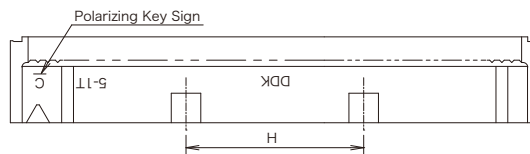
FRC5-Ax14-xx0x-FA



FRC5-Ax16-xx0x-FA



FRC5-Ax20-xx0x-FA



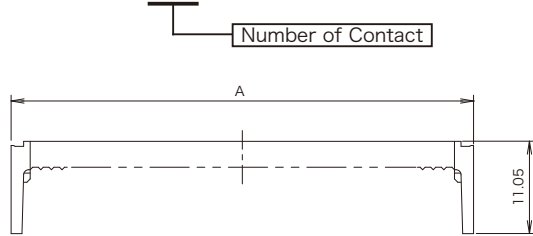
FRC5-Ax50~Ax64-xx0x-FA
 FRC5-Ax60-xxCx-xxCx-FA

© Specifications and/or dimensions in this catalogue are subject to change without notice.
 Your catalogue checking the latest specifications with our drawings would be highly appreciated.

▶ Cover, Strain Relief

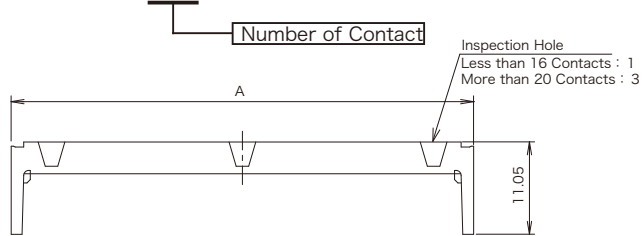
Open-end Cover

FRC2-50-022



Closed-end Cover

FRC2-50-032

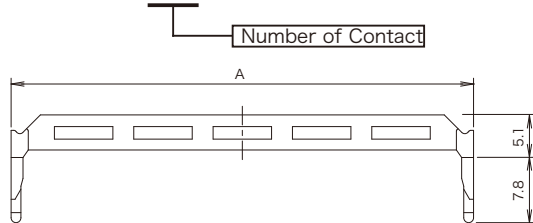


Part Number	Number of Contact	A
FRC2-10-0XX	10	17.27
FRC2-14-0XX	14	22.35
FRC2-16-0XX	16	24.89
FRC2-20-0XX	20	29.97
FRC2-26-0XX	26	37.59
FRC2-30-0XX	30	42.67
FRC2-34-0XX	34	47.75
FRC2-40-0XX	40	55.37
FRC2-50-0XX	50	68.07
FRC2-60-0XX	60	80.77
FRC2-64-0XX	64	85.85

Note:Closed-end cover for 64 contacts are not available.

Strain Relief

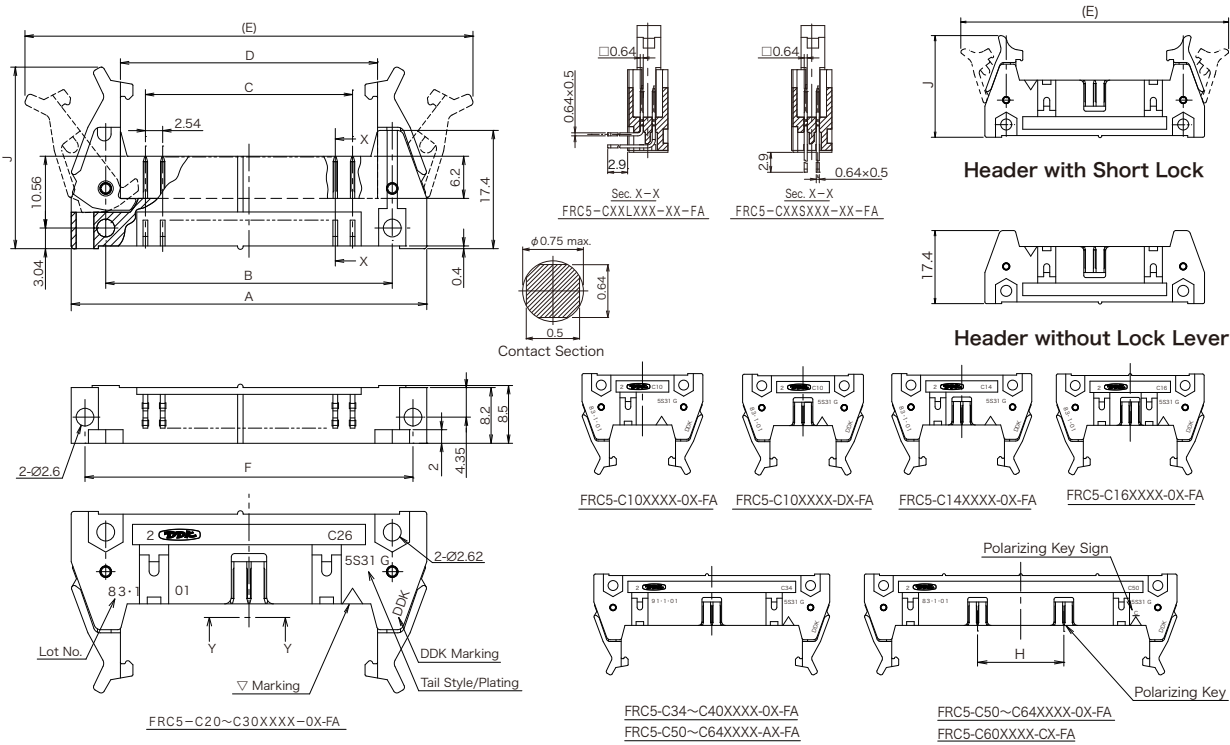
FRC2-50-042



▶ Header Connector

FRC5-C26L51T-0L-FA

Number of Contact 10, 14, 16, 20, 26, 30, 34, 40, 50, 60, 64	FA : Lead Free
Contact Style L : Right Angle S : Straight	Lock Lever L : Long Lock S : Short Lock
Contact Tail Length 5 : 2.9mm	Polarizing Key 0 : 10 No Key 14, 16, 20, 26, 30, 34, 40 1 Key 50, 60, 64 2 Keys (H=22.86mm) A : 50, 60, 64 1 Key C : 60, 64 2 Key (H=27.94mm) D : 10 1 Key
Contact Plating 1 : Au(0.8 μ) over Ni Plating 3 : Au(Flash) over Ni Plating	
Plating Termination Area T : Sn-Ag Plating	

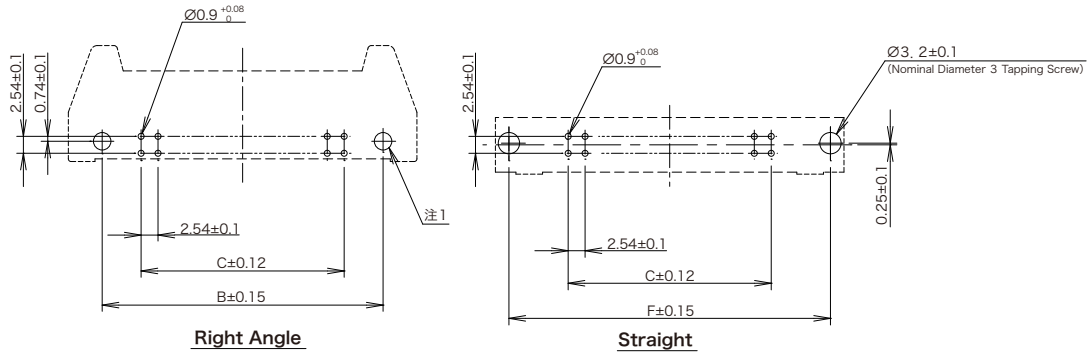


Part Number	Number of Contact	A	B	C	D	F	Long Lock		Short Lock	
							E	J	E	J
FRC5-C10XXX-XX-FA	10	32.00	21.84	10.16	17.52	27.94	45.6	26.7	42.4	24.3
FRC5-C14XXX-XX-FA	14	37.08	26.92	15.24	22.60	33.02	50.7	26.7	47.5	24.3
FRC5-C16XXX-XX-FA	16	39.62	29.46	17.78	25.14	35.56	53.2	26.7	50.0	24.3
FRC5-C20XXX-XX-FA	20	44.70	34.54	22.86	30.22	40.64	58.3	26.7	55.1	24.3
FRC5-C26XXX-XX-FA	26	52.32	42.16	30.48	37.84	48.26	65.9	26.7	62.7	24.3
FRC5-C30XXX-XX-FA	30	57.40	47.24	35.56	42.92	53.34	71.0	26.7	67.8	24.3
FRC5-C34XXX-XX-FA	34	62.48	52.32	40.64	48.00	58.42	76.1	26.7	72.9	24.3
FRC5-C40XXX-XX-FA	40	70.10	59.94	48.26	55.62	66.04	83.7	26.7	80.5	24.3
FRC5-C50XXX-XX-FA	50	82.80	72.64	60.96	68.32	78.74	96.4	26.7	93.2	24.3
FRC5-C60XXX-XX-FA	60	95.50	85.34	73.66	81.02	91.44	109.1	26.7	105.9	24.3
FRC5-C64XXX-XX-FA	64	100.58	90.42	78.74	86.10	96.52	114.2	26.7	111.0	24.3

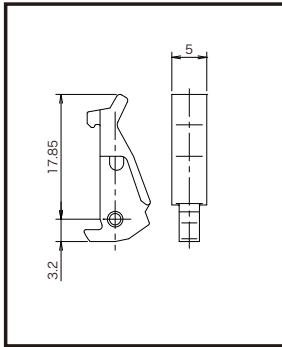
© Specifications and/or dimensions in this catalogue are subject to change without notice.
Your catalogue checking the latest specifications with our drawings would be highly appreciated.

▶ Header Connector

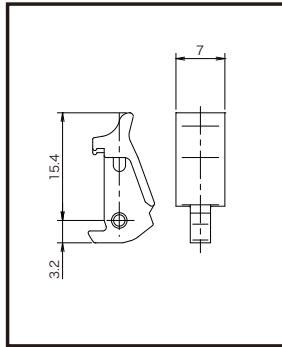
Recommended PCB Mounting Dimensions
(Soldering Side)



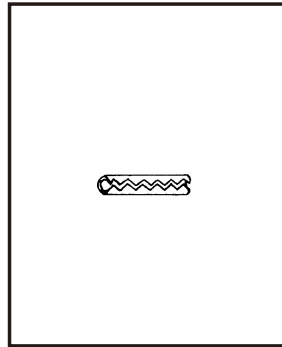
※ 1 When using M2.6 screw, the hole diameter should be $\varnothing 2.8$.
When using nominal diameter 3 tapping screw, the hole diameter should be $\varnothing 3.2$.



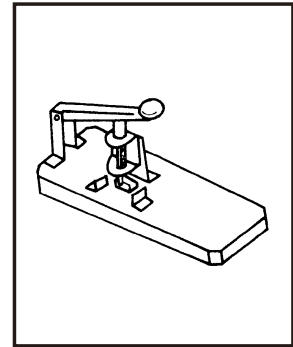
Long Lock
(FRC2-01)



Short Lock
(FRC2-02)

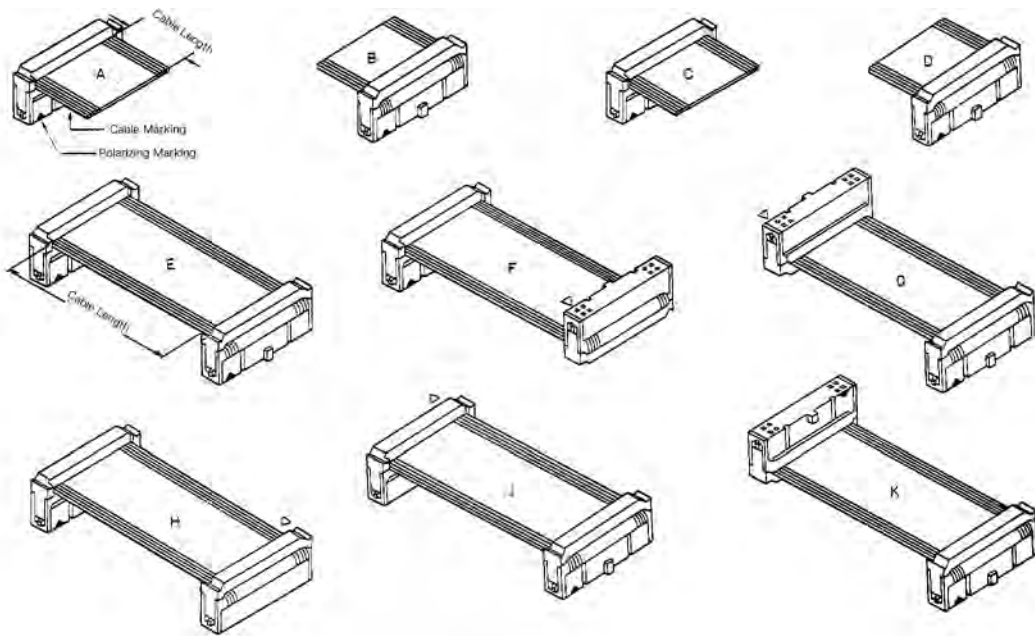


Spring pin
(FRC-03)

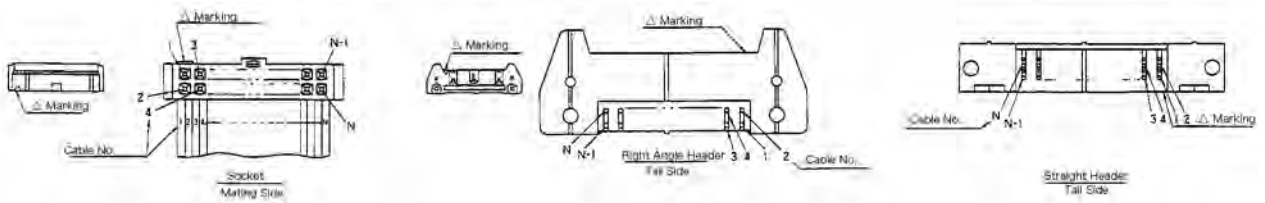


Assembly Tool(357J-4502)
Assemble/disassemble
the lock lever

▶ Cable Assembly Configurations



Cable No. and Contact Position



▶ Assembly Tool

- Cable Cutting Tool : 357J-4256
- Termination Tool : 357J-4674D (Press)
: 357J-4664N (Attachment)

© Specifications and/or dimensions in this catalogue are subject to change without notice.
Your catalogue checking the latest specifications with our drawings would be highly appreciated.