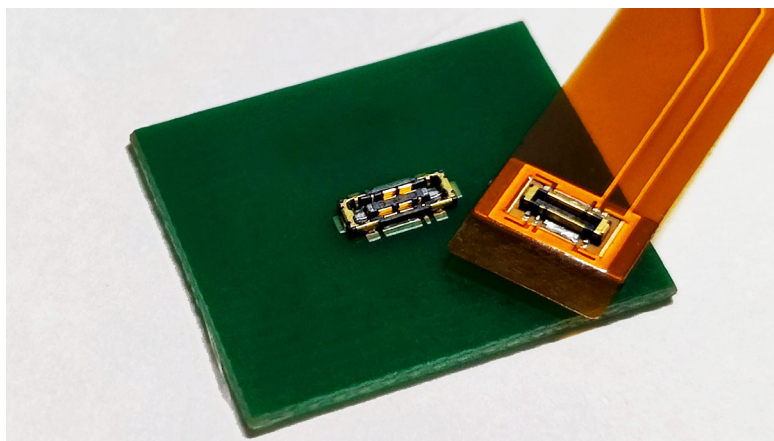


Board to board (FPC) battery connector

FPB4 Series

DDK Ltd.



OUTLINE

FPB4 is a board to board(FPC) connector with a stacking height of 0.6mm.

It has power contacts capable of supplying 8A, making it ideal for battery connections that require high current.

FEATURE

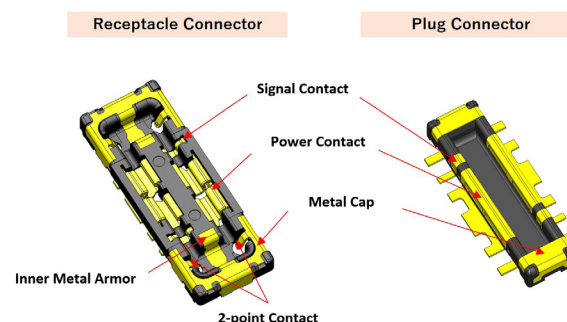
- With power contacts capable of supplying 8A current
- Stacking height : 0.6mm, Width:1.95mm
- Metal-cap structure prevents from the damage by mis-alignment mating.
- Inner metal armor structure further increases strength.
- Metal cap serve with up to 2.5A current available.
- High reliability with two point contact structure
- Good click feel when connector is mated and high unmating force.

APPLICATIONS

Smartphone, Smartwatch, other compact portable devices

SPECIFICATIONS

Number of contacts	Signal Contact : 2pin Power Contact : 2pin Metal-Cap : 2pin
Rated Current	Signal Contact : 0.5A/pin Power Contact : 8.0A/pin Metal-Cap : 2.5A/pin
Rated Voltage	AC30V (r.m.s.) / DC30V
Contact Resistance	Signal Contact : 30m Ω Max. Power Contact : 5m Ω Max. Metal-Cap : 20m Ω Max.
Insulation Resistance	100M Ω min. at 200V DC
Dielectric Withstand Voltage	AC 200V (r.m.s.) /1 minute
Operating Temperature	-40°C~ +85°C



MATERIAL/FINISH



Item	Material / Finish
Signal Contact	Copper Alloy / Au over Ni Plating
Power Contact	Copper Alloy / Au over Ni Platingk
Metal-Cap	Copper Alloy / Au over Ni Plating
Housing	LCP Resin (UL94V-0) / Black

© Specifications and/or dimensions in this catalogue are subject to change without notice.

Your catalogue checking the latest specifications with our drawings would be highly appreciated.

▶ 0.6mm mating height battery Connector

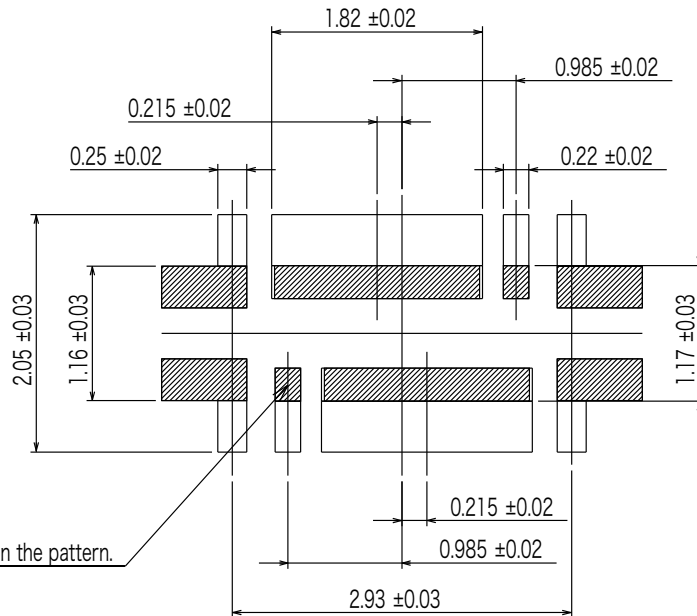
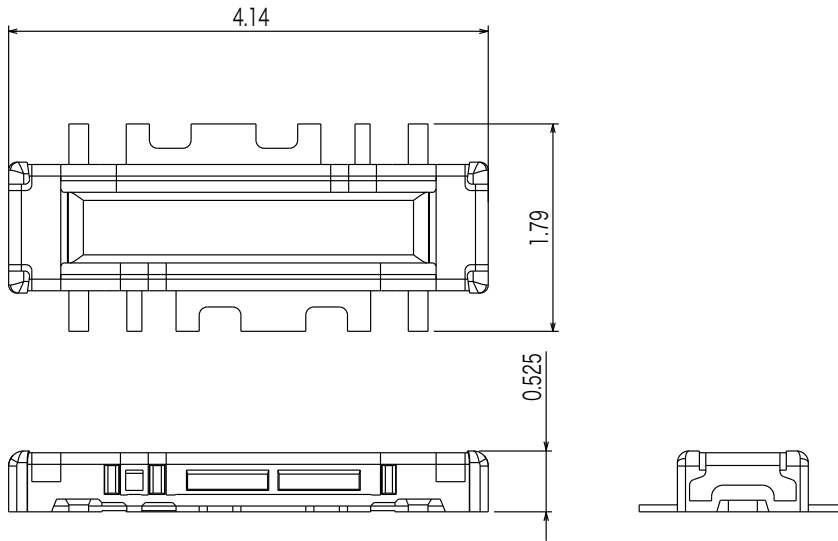
Plug Connector

FPB4 - PC-3A

Series Name
 FPB4 : 0.6mm mating height battery Connector
 Signal contact 2 contact type

Contact Plating
 3 : Au(Flash) over Ni Plating

Mating Style
 P : Plug



This hatching area  is cover lay or resist coating on the pattern.

Reference P.C.B Layout

© Specifications and/or dimensions in this catalogue are subject to change without notice.
 Your catalogue checking the latest specifications with our drawings would be highly appreciated.

▶ 0.6mm mating height battery Connector

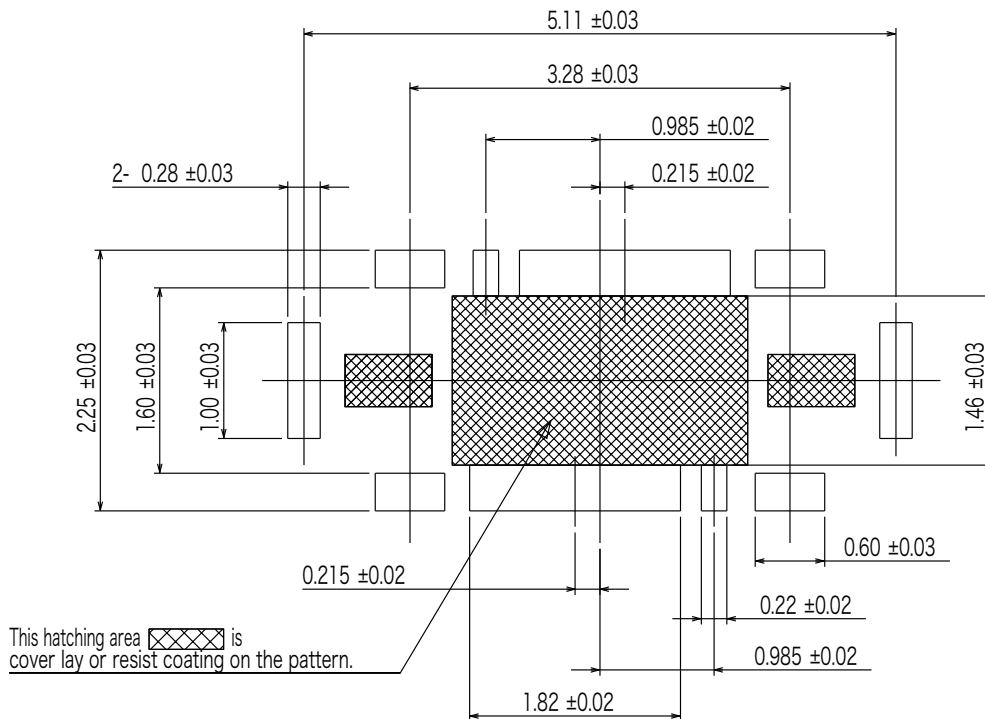
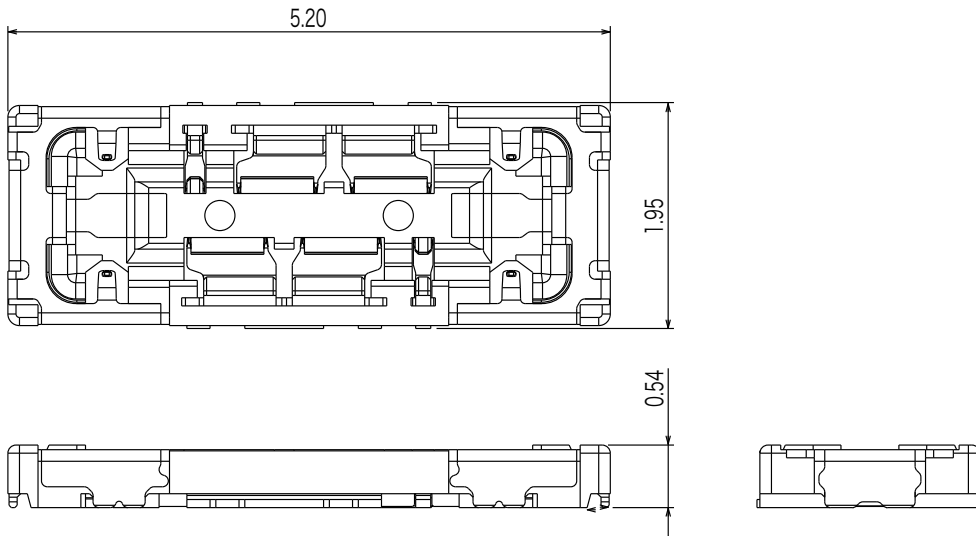
Receptacle Connector

FPB4 - RC-3A

Series Name
 FPB4 : 0.6mm mating height battery Connector
 Signal contact 2 contact type

Contact Plating
 3 : Au(Flash) over Ni Plating

Mating Style
 R : Receptacle



Reference P.C.B Layout

© Specifications and/or dimensions in this catalogue are subject to change without notice.
 Your catalogue checking the latest specifications with our drawings would be highly appreciated.