

# 0.35mm pitch Board to FPC Connector

## FB35C Series

DDK Ltd.

### OUTLINE

FB35C is a 0.35mm pitch board to FPC connector with a stacking height of 0.7mm. Space-saving design with a depth of 1.9mm. Each connector has two retention tabs that also serve as power contacts with each having capability of supporting 3A of current, which can reduce the number of overall connections, the size of your device and the cost associated with reduced board space. FB35C have high contact reliability with 2-point contact and also provides high strength from Metal-cap structure.



### FEATURE

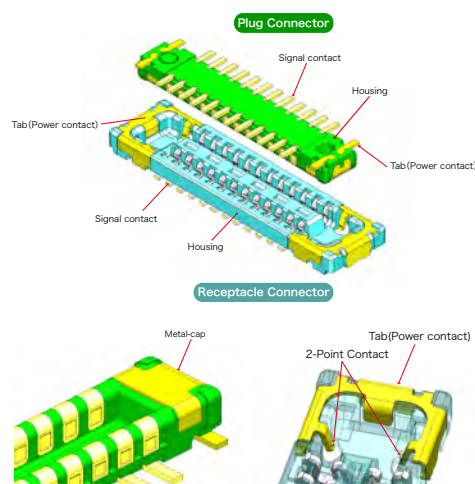
- Stacking height is 0.7mm
- Pitch 0.35mm
- Width (with mating condition) is 1.9mm
- Available pin counts :22,24,40,48
- Manual assembly improved due to click feel when engaged.
- The retention tabs serve as power contacts with up to 3A current available in each of two pins, which allows for more efficient use of the available connection pins.
- Metal-cap structure prevents from the damage by mis-alignment mating.

### APPLICATIONS

Smartphone, Smartwatch, other compact portable devices

### SPECIFICATIONS

Rated Voltage	30VAC (r.m.s.) / 30VDC
Rated Current	0.3A Signal Contact(Total 12A max.) 3.0A Power Contact
Insulation Resistance	100 MΩ min. / 200VDC
Dielectric Withstand Voltage	AC 200V (r.m.s.) / 1 minute
Contact Resistance	50 m Ω max. Signal Contact 20 m Ω max. Power Contact
Operating Temperature	-40°C ~ +85°C



### MATERIAL /FINISH



Item	Material / Finish
Signal Contact	Copper Alloy/Au over Ni Plating
Housing	LCP Resin (UL94V-0) / Black
Power Contact	Copper Alloy / Au over Ni Plating

© Specifications and/or dimensions in this catalogue are subject to change without notice.  
Your catalogue checking the latest specifications with our drawings would be highly appreciated.

▶ 0.35mm pitch Board to FPC Connector

**Plug Connector**

**FB35C - PA22-3A**

Series Name  
FB35C : 0.35mm pitch board  
to FPC connector  
Stacking Height :0.7mm

Mating Style  
P : Plug

Contact Plating  
3 : Au(Flash) over Ni plating

Number of Contact  
See Table-1

Connector Type  
A : Strength Up Type

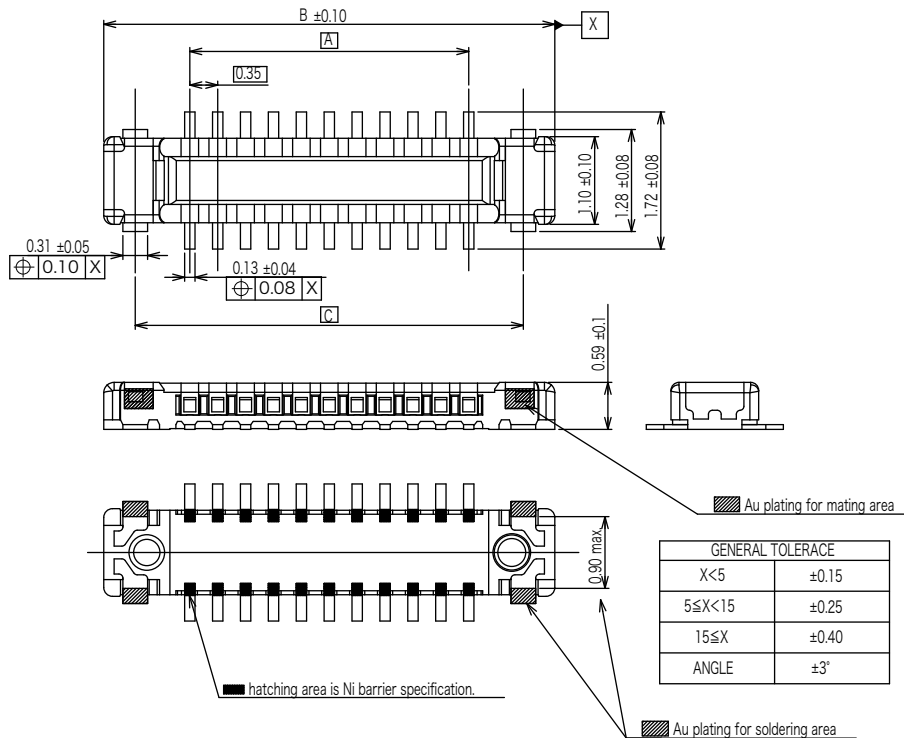


Table-1 ※ Regarding the number of contact, please contact our sales.

Part Number	Number of Contact	A	B	C	D
FB35C-PA22-3A	22	3.50	5.66	4.87	4.90
FB35C-PA24-3A	24	3.85	6.01	5.22	5.25
FB35C-PA40-3A	40	6.65	8.81	8.02	8.05
FB35C-PA48-3A	48	8.05	10.21	9.42	9.45

© Specifications and/or dimensions in this catalogue are subject to change without notice.  
Your catalogue checking the latest specifications with our drawings would be highly appreciated.

▶ 0.35mm pitch Board to FPC Connector

Receptacle Connector

FB35C - RA 22-3A

Series Name FB35C : 0.35mm pitch Board to FPC Connector Stacking Height 0.7mm	Contact Plating 3 : Au(Flash) over Ni Plating
Mating Style R : Receptacle	Number of Contact See Table-2
	Connector Type A : Strength Up Type

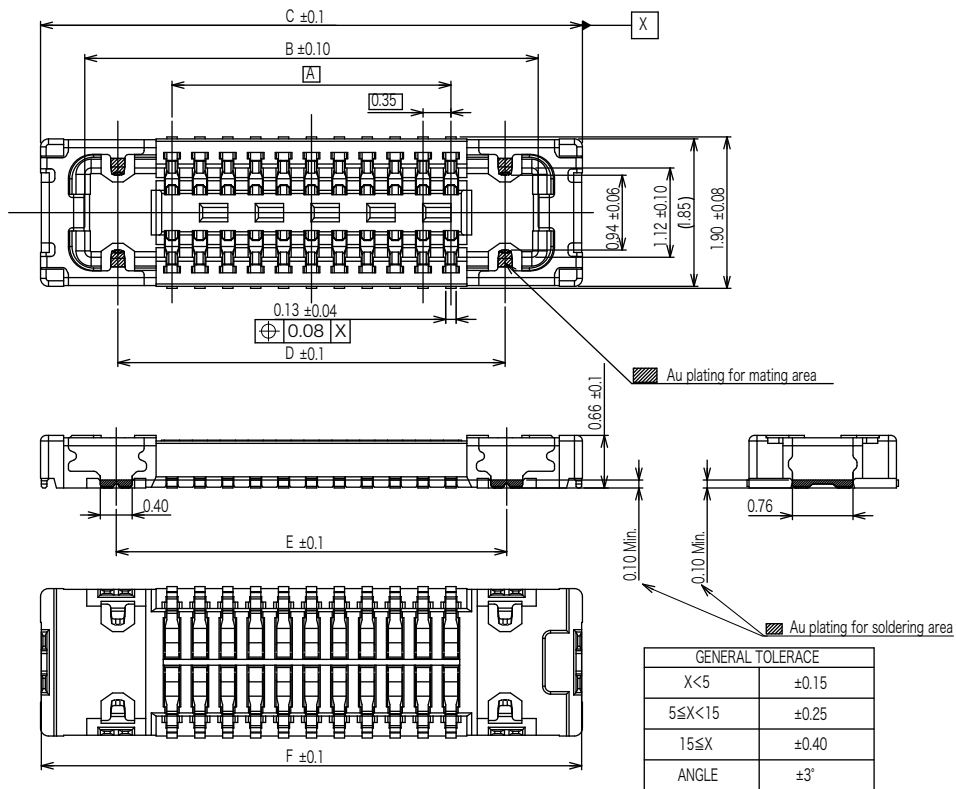


Table-2 ※ Regarding the number of contact, please contact our sales.

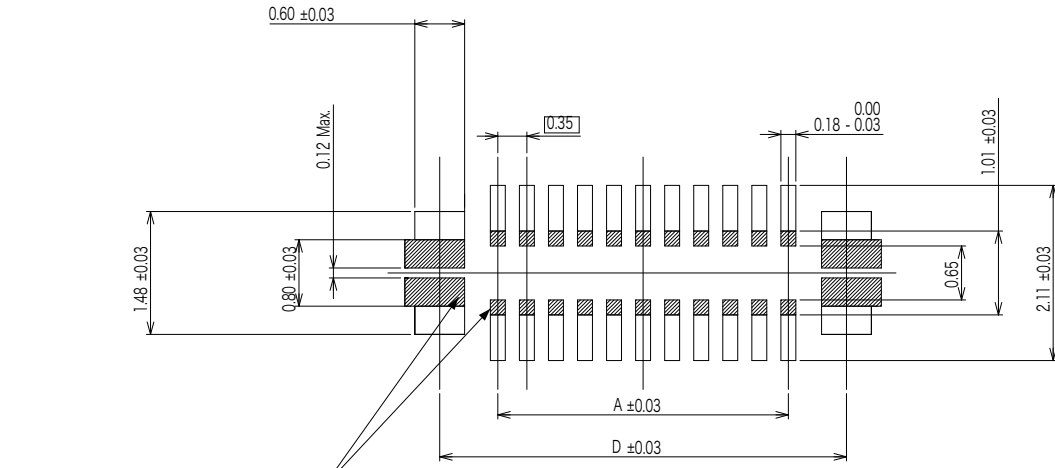
Part Number	Number of Contact	A	B	C	D	E	F
FB35C-RA22-3A	22	3.50	5.69	6.80	4.86	4.90	6.78
FB35C-RA24-3A	24	3.85	6.04	7.15	5.21	5.25	7.13
FB35C-RA40-3A	40	6.65	8.84	9.95	8.01	8.05	9.93
FB35C-RA48-3A	48	8.05	10.24	11.35	9.41	9.45	11.33

© Specifications and/or dimensions in this catalogue are subject to change without notice.  
Your catalogue checking the latest specifications with our drawings would be highly appreciated.

▶ 0.35mm pitch Board to FPC Connector

Recommended P.C.B. Layout

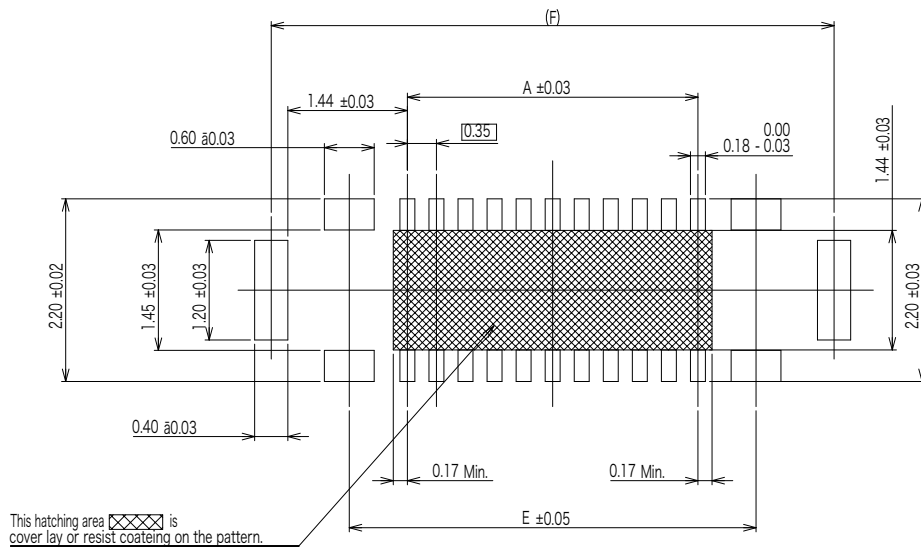
**Plug Connector**



This hatching area is cover lay or resist coating on the pattern.

Reference P.C.B Layout  
(Connector Mounting Side View)

**Receptacle Connector**



This hatching area is cover lay or resist coating on the pattern.

Reference P.C.B Layout  
(Connector Mounting Side View)

© Specifications and/or dimensions in this catalogue are subject to change without notice.  
Your catalogue checking the latest specifications with our drawings would be highly appreciated.