

Compact Bayonet Lock Coaxial Connector

BM1 Series

DDK Ltd.

Characteristic Impedance

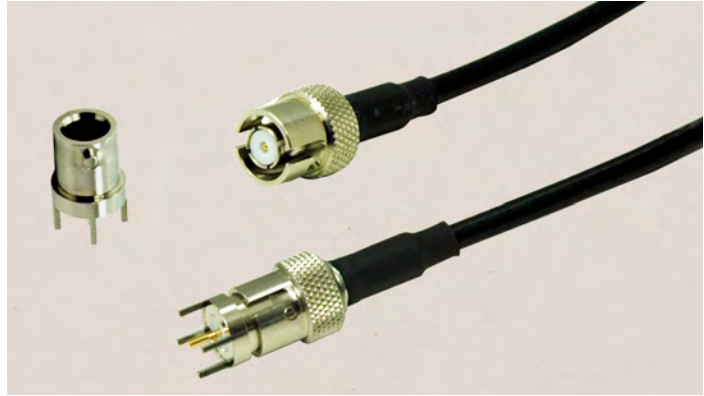
50 Ω

Frequency Range

DC to 6GHz

Lock Type

Bayonet



FEATURE

- Downsize a BNC connector and it is the size equal to SMA connectors.
- Approximately 50% of space-saving in comparison with BNC connector.
- Locking type is Bayonet locking like BNC connector.
- Because of Bayonet locking, torque management is not necessary and easier mating/unmating than SMA connector.

APPLICATIONS

- Wireless Base Station, GPS Antenna(Construction Machine/Automobile), Telecom Equipment, Measuring Equipment

SPECIFICATIONS

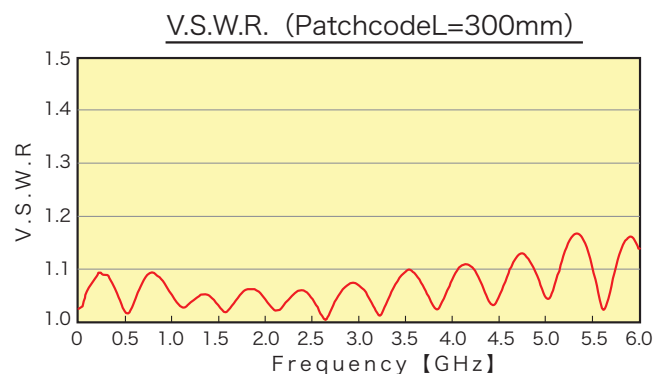
Characteristic Impedance	50 Ω
Rated Voltage	500VAC(r.m.s.)
Dielectric Withstand Voltage	1000V AC(r.m.s.) / 1 minute
Insulation Resistance	1000M Ω Mim. at 500V DC
Contact Resistance	Contact : 3m Ω max.
V.S.W.R.	1.2 max. at DC to 3GHz 1.3 max. at DC to 6GHz
Operating Temperature	-40 to +85°C
Waterproof(Mating part)	IPx7 Equivalent

* The specifications are typical but may not apply to all connectors. Please check the specifications on each item with its drawing from us when you use.

Material/Finish



Item	Material / Finish
Center Conductor	Copper Alloy / Au Plating
Outer Conductor	Copper Alloy / Ni Plating
Insulator	PTFE



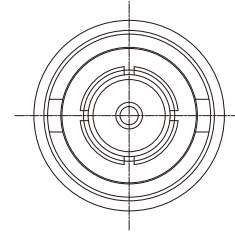
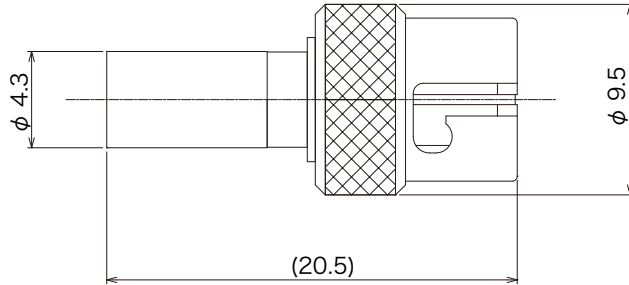
© Please acknowledge that the specification etc. of this catalog might change by the improvement etc. without a previous notice.
Moreover, the characteristic and the specification of the published product are the reference values.
Please verify the latest specifications with our drawings.

▶ Cable Plug

BM1-SP-1.5D-CR1

Applicable Cable

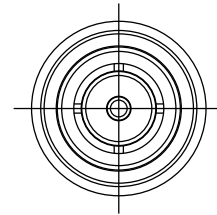
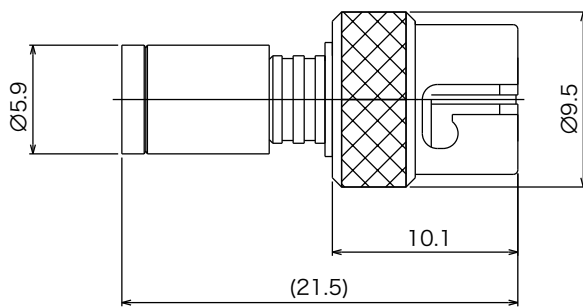
1.5D-2V, 1.5D-2W
1.5D-HQ · SUPER



BM1-SP-2.5DSQFB-CR1

Applicable Cable

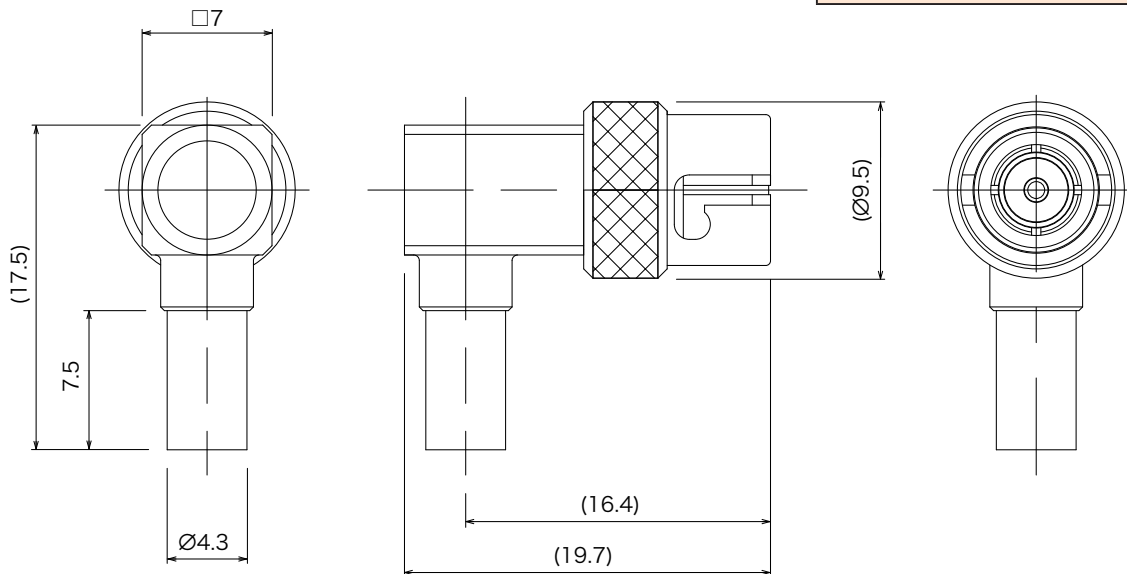
2.5DS-QFB



BM1-LP-1.5D-CR1

Applicable Cable

1.5D-2V, 1.5D-2W
1.5D-HQ · SUPER



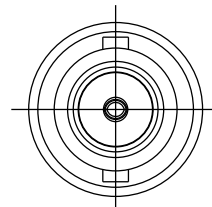
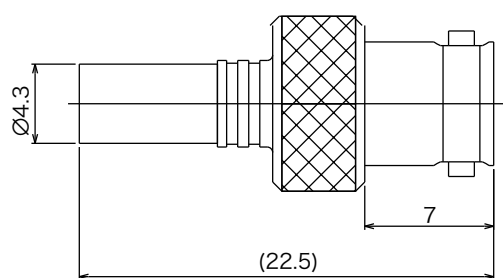
© Please acknowledge that the specification etc. of this catalog might change by the improvement etc. without a previous notice.
Moreover, the characteristic and the specification of the published product are the reference values.
Please verify the latest specifications with our drawings.

▶ Straight Cable Jack

BM1-SJ-1.5D-CR1

Applicable Cable

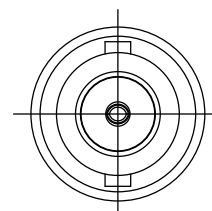
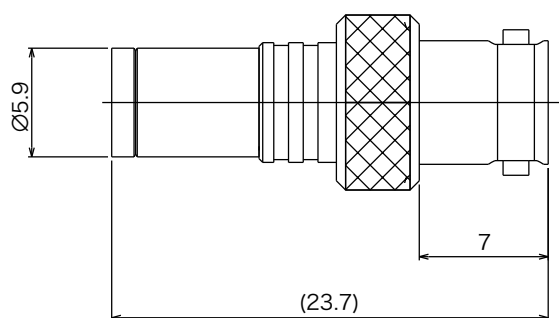
1.5D-2V、1.5D-2W
1.5D-HQ・SUPER



BM1-SJ-2.5DSQFB-CR1

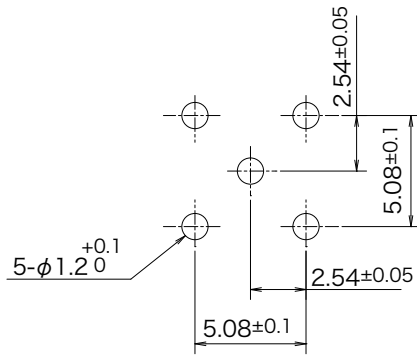
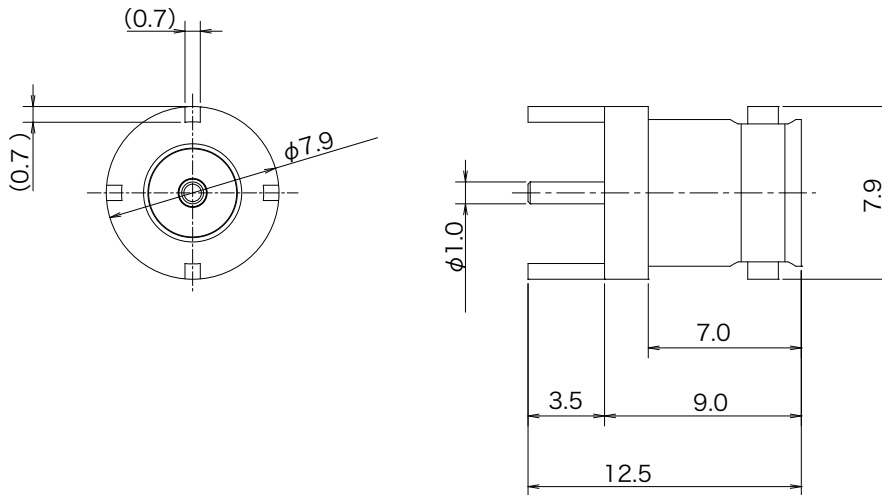
Applicable Cable

2.5DS-QFB



▶ Receptacle

BM1-SR-PC

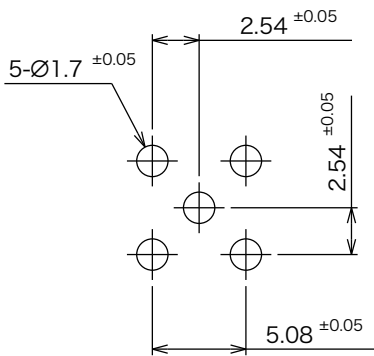
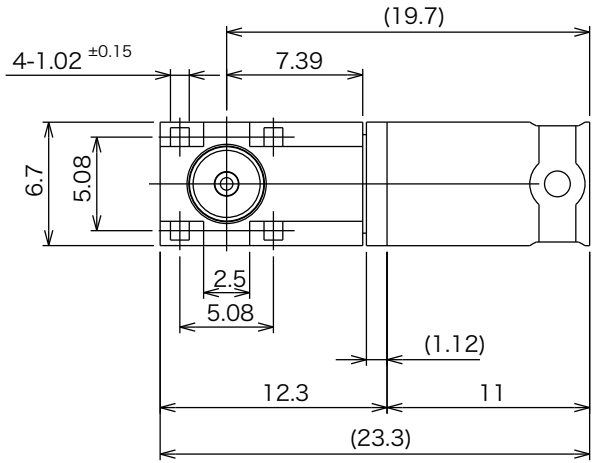
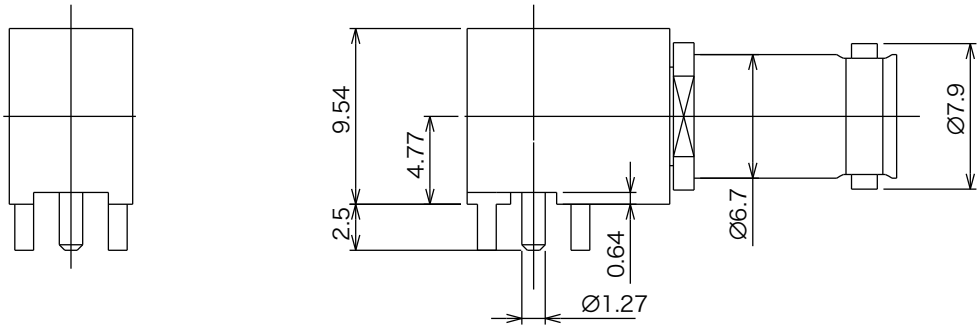


PCB Mounting Dimensions

© Please acknowledge that the specification etc. of this catalog might change by the improvement etc. without a previous notice.
 Moreover, the characteristic and the specification of the published product are the reference values.
 Please verify the latest specifications with our drawings.

▶ Receptacle

BM1-LR-PC

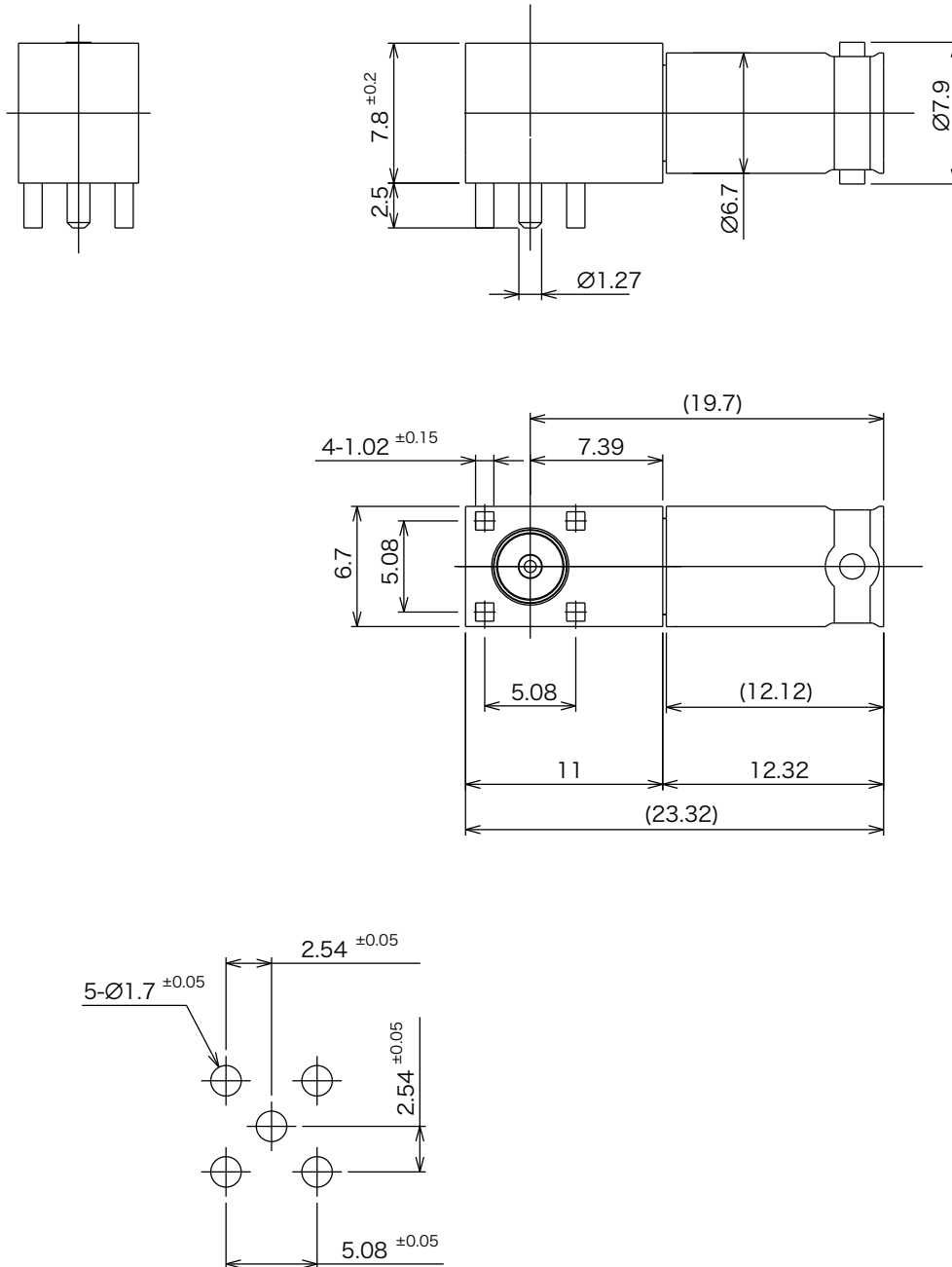


PCB Mounting Dimensions

© Please acknowledge that the specification etc. of this catalog might change by the improvement etc. without a previous notice. Moreover, the characteristic and the specification of the published product are the reference values. Please verify the latest specifications with our drawings.

▶ Receptacle

BM1-LR-PC-1



PCB Mounting Dimensions

© Please acknowledge that the specification etc. of this catalog might change by the improvement etc. without a previous notice.
 Moreover, the characteristic and the specification of the published product are the reference values.
 Please verify the latest specifications with our drawings.