

Low Profile Coaxial Connector

Y90 Series

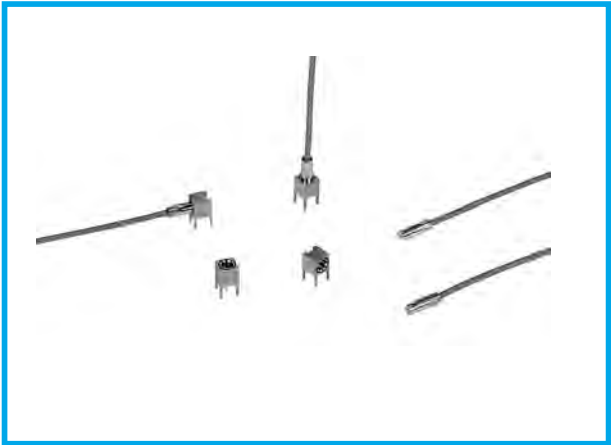
DDK Ltd.

Frequency Range
DC ~ 1GHz

Characteristic Impedance
50 Ω

FEATURE

- A low profile coaxial connector for high density telecom equipments.(4.4mm mating height from PCB).
- Frequency range is DC ~ 1GHz.
- Plug for cable and receptacle for PCB mounting style are available.



SPECIFICATIONS

Characteristic Impedance	50 Ω
Rated Voltage	100VAC(r.m.s.)
Dielectric Withstanding Voltage	1500V AC(r.m.s) / 1 minute
Insulation Resistance	1,000M Ω min. at 500V DC
Contact Resistance	10m Ω max.
V.S.W.R.	1.2 max. (DC ~ 1GHz)
Operating Temperature	-40 ~ +85°C

* The specifications are typical but may not apply to all connectors.
Please check the specifications on each item with its drawing from us when you use.

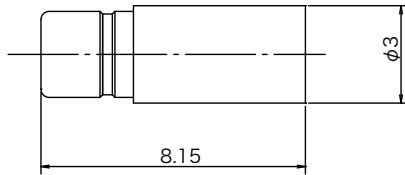
MATERIAL/FINISH



Item	Material / Finish
Outer Conductor(Male)	Copper Alloy / Au Plating
Outer Conductor(Female)	Copper Alloy / Au Plating
Contact(Male)	Copper Alloy / Au Plating
Contact(Female)	Copper Alloy / Au Plating
Insulator	PTTE

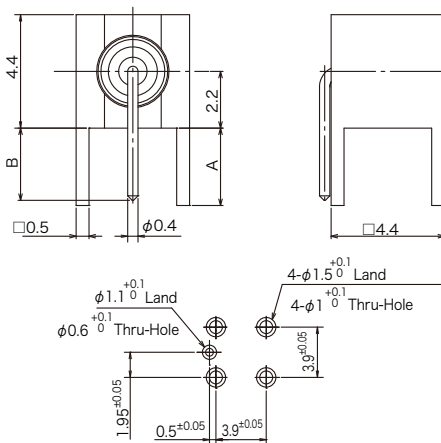
© Please acknowledge that the specification etc. of this catalog might change by the improvement etc. without a previous notice.
Moreover, the characteristic and the specification of the published product are the reference values.
Please confirm the content with the latest delivery specifications when you use the product.

▶ Plug



Part Number	Applicable Cable	Crimp Tool
Y90-SP-A12B0320-CF	A12B0320	CR-H-1151

▶ Receptacle



Part Number	A	B
Y90-LR-PC-3-CF	3.00	2.70

PCB Mounting Dimensions

▶ Connector Mating / Unmating Tool

If it is difficult to mate / unmate the connector in the narrow space, the connector mating / unmating tool is available.

(Part Number : 357J-12438)

© Please acknowledge that the specification etc. of this catalog might change by the improvement etc. without a previous notice.
 Moreover, the characteristic and the specification of the published product are the reference values.
 Please confirm the content with the latest delivery specifications when you use the product.