

# DeviceNet Mini-Style Connectors

## CM03A Series (Panel Mount Connector) DDK Ltd.

Conforming Standard  
DeviceNet

Waterproof  
IP 67

Lock Type  
Threaded Coupling

### ◆ OUTLINE

The CM03A series is a Mini-style of the panel mount connector for use in a DeviceNet communication network. DDK is manufacturing the receptacles with pin contacts and the plug-receptacles with socket contacts. The connectors are provided with a pre-mating contact which is a first make-last break contact to protect the circuit. When mated, the pre-mating contact is connected first before the other contacts are disconnected last when dismated.



Four (4) positions of connectors are available for

DiviceNet power tap as well as five (5) positions of connectors. CM03A series is IP67 rated and can be used in a wide range of devices and equipment. This series is intermateble with the plug connectors and the jack connectors in our CM03A series(overmolded cable assemblies) and CM03 series.

### ◆ FEATURES

- Intermateable with the plug and jack of CM03A cable assemblies and CM03 series
- First make-last break contact to protect the circuit
- Solder termination style
- UL certified (File No. E72124)

### ◆ SPECIFICATIONS



Rated Current	13A/Contact
Rated Voltage	50V DC
Dielectric Withstanding Voltage	1,600V AC(r.m.s.) for 1 minute
Insulation Resistance	1,000 MΩ Min. at 250V DC
Operating Temperature Range	-40 °C to +70 °C
Waterproof	IP67 when mated
Pin Contact Size	φ 2.0 mm
Applicable Wire Size	AWG14 max.
No. of Contacts	4 and 5

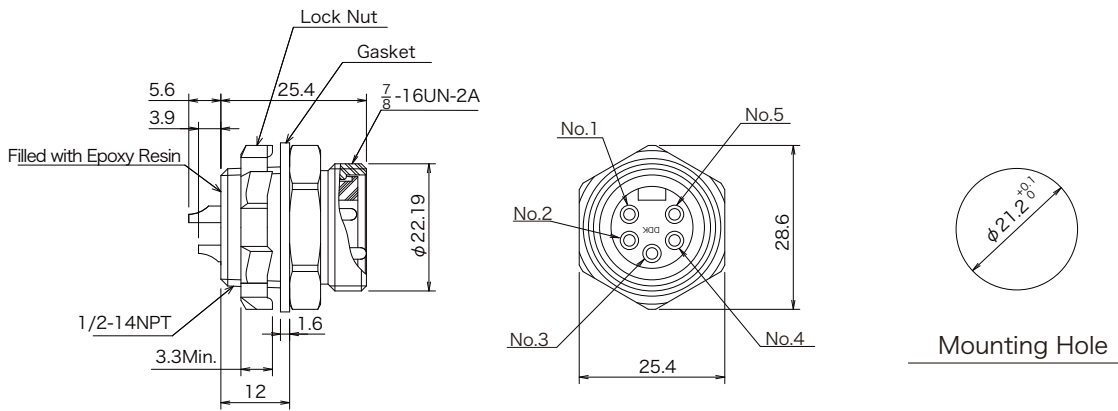
### ◆ MATERIALS/FINISH



Item	Receptacle(Pin)	Plug Receptacle(Socket)
Contact	Copper Alloy / Gold Plating	Copper Alloy / Gold Plating
O-Ring		Synthetic Rubber / Black
Insulator	Plastic(UL94V-0) / Gray	Plastic(UL94V-0) / Gray
Shell	Zinc Alloy / Nickel Plating	Zinc Alloy / Nickel Plating
Lock Nut	Steel / Zinc Plating	Steel / Zinc Plating
Gasket	Synthetic Rubber / Black	Synthetic Rubber / Black



▶ Receptacle With Pin Contacts

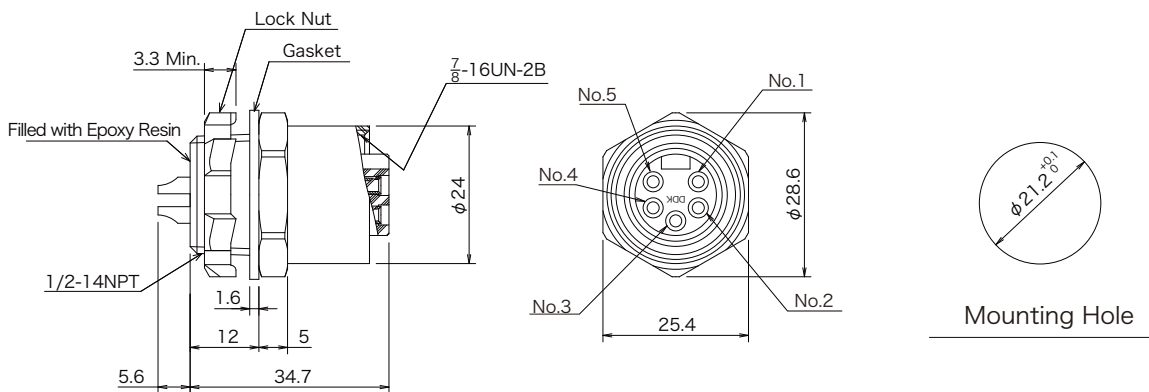
No. of Contacts	Lock Nut	Panel Gasket	P/N
4 Contacts 	With	Non	CM03A-R4P-S(R1)
	Non	Non	CM03A-R4P-S-0(R1)
	With	With	CM03A-R4P-S-1(R1)
5 Contacts 	With	Non	CM03A-R5P-S(R1)
	Non	Non	CM03A-R5P-S-0(R1)
	With	With	CM03A-R5P-S-1(R1)



※ Terminal number No 1, No 5 isn't shown to a connector.

▶ Plug Receptacle With Socket Contacts

No. of Contacts	Lock Nut	Panel Gasket	P/N
4 Contacts 	With	Non	CM03A-PR4S-S(R1)
	Non	Non	CM03A-PR4S-S-0(R1)
	With	With	CM03A-PR4S-S-1(R1)
5 Contacts 	With	Non	CM03A-PR5S-S(R1)
	Non	Non	CM03A-PR5S-S-0(R1)
	With	With	CM03A-PR5S-S-1(R1)



※ Terminal number No1, No5 isn't shown to a connector.