

0.35mm pitch Board to FPC Connector

FB35L Series

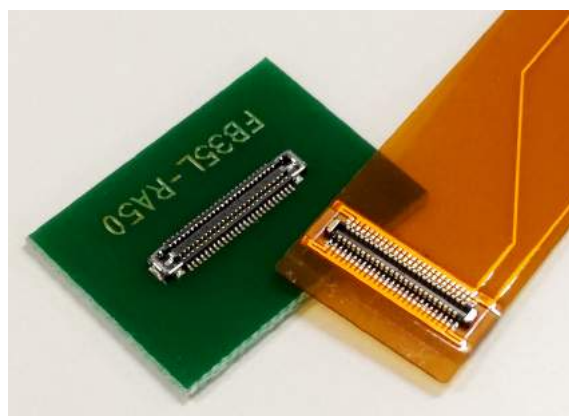
DDK Ltd.

OUTLINE

FB35L is a 0.35mm pitch board to FPC connector with a stacking height of 0.7mm, space-saving design with a depth of 1.9mm. Each connector has two tabs that also serve as power contacts with each having capability of supporting 3A of current, which can reduce the number of overall connections, the size of your device and the cost associated with reduced board space. FB35L has high contact reliability with 2-points contact and also provides high strength from Metal-cap structure.

FEATURES

- Stacking height 0.7mm
- Pitch 0.35mm
- Depth (with mating condition) 1.9mm
- Available pin counts 50,56
- Good click feel when connectors is mated.
- The tabs serve as power contacts with up to 3A current available in each of two pins, which allows for more efficient use of the available connection pins.
- Metal-cap structure prevents from the damage by mis-alignment mating.



APPLICATIONS

Smartphone, Smartwatch, Other compact portable devices

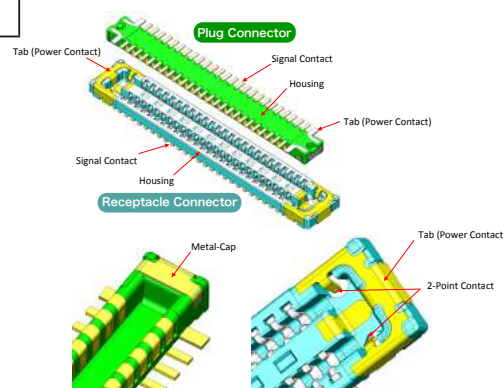
SPECIFICATIONS

Rated Voltage	30VAC (r.m.s.) / 30VDC
Rated Current	0.4A Signal Contact(Total 12A max.) 3.0A Power Contact
Insulation Resistance	100 MΩ min. / 200VDC
Dielectric Withstand Voltage	AC 200V (r.m.s.) / 1 minute
Contact Resistance	30 mΩ max. Signal Contact 20 mΩ max. Power Contact
Operating Temperature	-40°C~ +85°C

MATERIAL /FINISH



Item	Material / Finish
Signal Contact	Copper Alloy/Au over Ni Plating
Housing	LCP Resin (UL94V-0) / Black
Power Contact	Copper Alloy / Au over Ni Plating



© Specifications and/or dimensions in this catalogue are subject to change without notice.
Your catalogue checking the latest specifications with our drawings would be highly appreciated.

▶ 0.35mm pitch Board to FPC Connector

Plug Connector

FB35L - PA50-3A

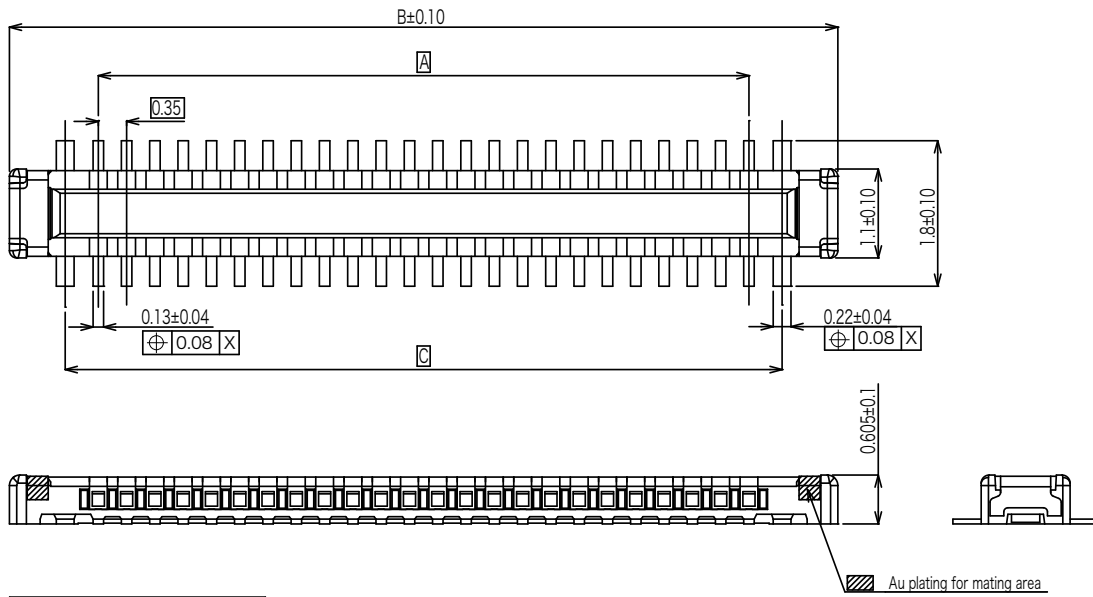
Series Name
 FB35L : 0.35mm pitch board
 to FPC connector
 Stacking Height 0.7mm

Mating Style
 P : Plug

Contact Plating
 3 : Au(Flash) over Ni plating

Number of Contact
 See Table-1

Connector Type
 A : Strength Up Type



GENERAL TOLERANCE	
X<5	±0.15
5≤X<15	±0.25
15≤X	±0.40
ANGLE	±3°

Table-1

Part Number	Number of Contact	A	B	C	D	E
FB35L-PA50-3A	50	8.40	10.60	9.22	10.59	11.80
FB35L-PA56-3A	56	9.45	11.65	10.27	11.64	12.85

※ Regarding the number of contact, please contact our sales.

▶ 0.35mm pitch Board to FPC Connector

Receptacle Connector

FB35L - RA 50-3A

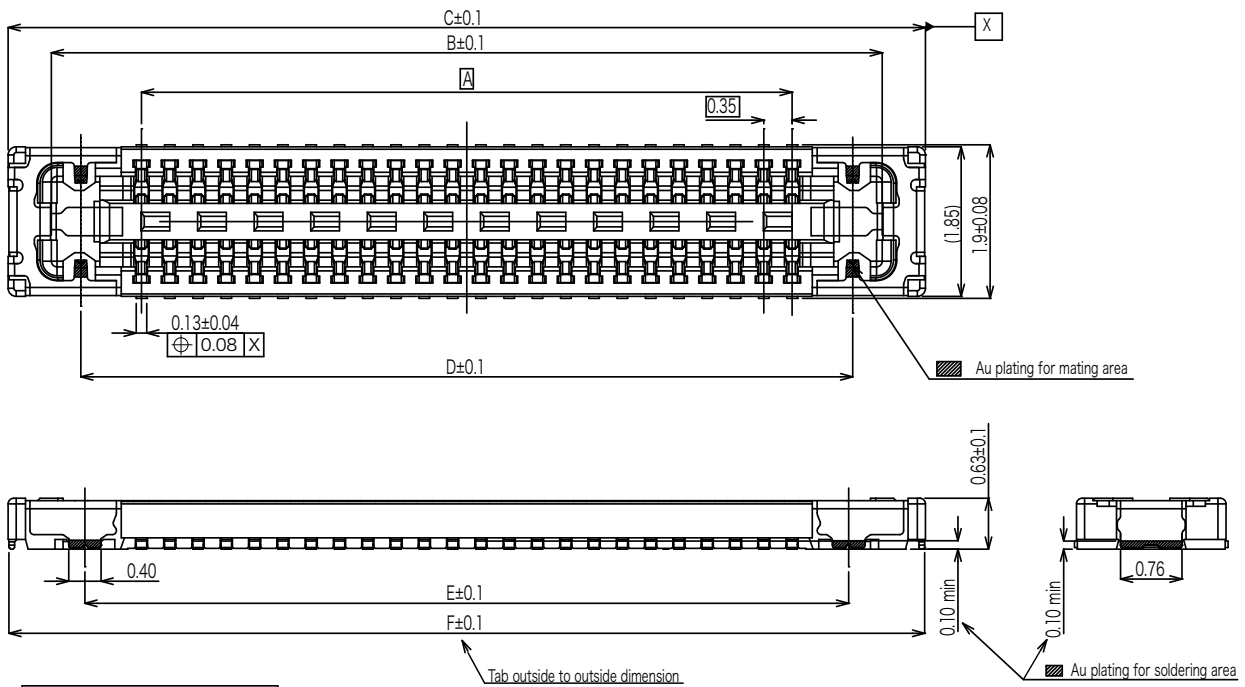
Series Name
FB35L : 0.35mm pitch Board
to FPC Connector
Stacking Height 0.7mm

Mating Style
R : Receptacle

Contact Plating
3 : Au(Flash) over Ni Plating

Number of Contact
See Table-2

Connector Type
A : Strength Up Type



GENERAL TOLERANCE	
X<5	±0.15
5≤X<15	±0.25
15≤X	±0.40
ANGLE	±3°

Table-2

Part Number	Number of Contact	A	B	C	D	E	F	G	H
FB35L-RA50-3A	50	8.40	10.63	11.70	9.90	9.80	11.68	9.50	10.78
FB35L-RA56-3A	56	9.45	11.68	12.75	10.95	10.85	12.73	10.55	11.83

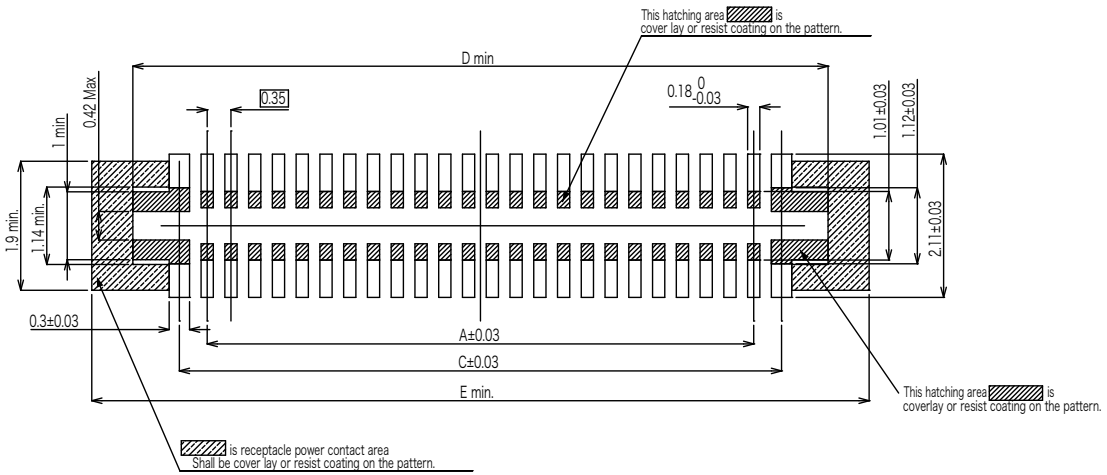
※ Regarding the number of contact, please contact our sales.

© Specifications and/or dimensions in this catalogue are subject to change without notice.
Your catalogue checking the latest specifications with our drawings would be highly appreciated.

▶ 0.35mm pitch Board to FPC Connector

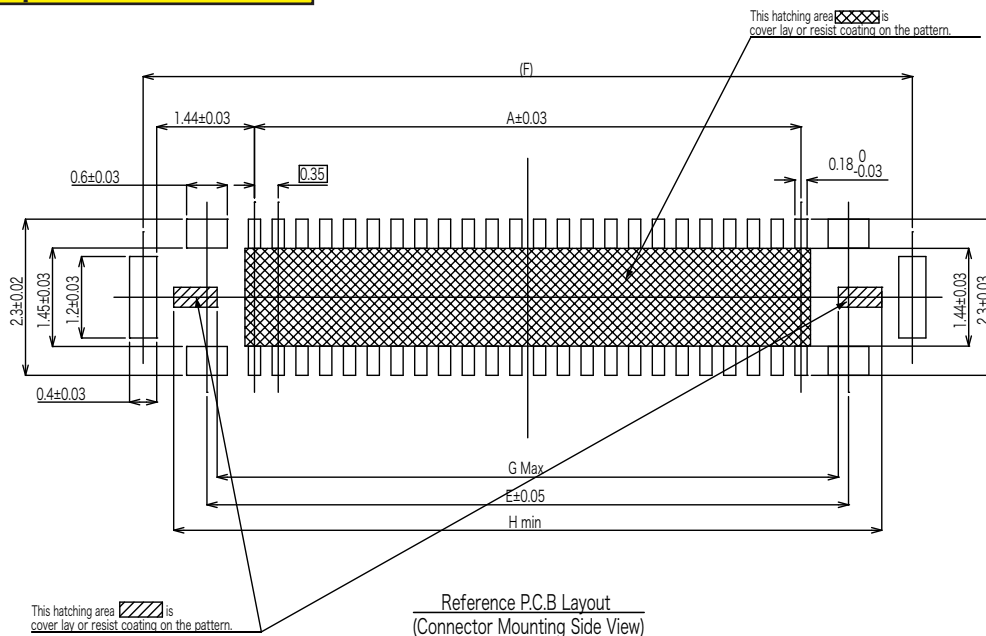
Recommended P.C.B. Layout

Plug Connector



Reference P.C.B Layout
(Connector Mounting Side View)

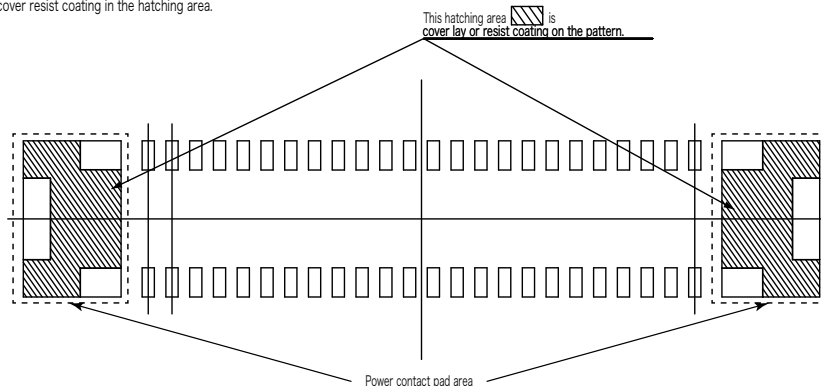
Receptacle Connector



Reference P.C.B Layout
(Connector Mounting Side View)

Power contact pad area

- As shown in the figure below, please use pattern as one area.
- Please cover resist coating in the hatching area.



© Specifications and/or dimensions in this catalogue are subject to change without notice.
Your catalogue checking the latest specifications with our drawings would be highly appreciated.