

Ultra Low Profile SIM/UIM Card Connector

TEN Series

DDK Ltd.

OUTLINE

TEN series is a SIM/UIM card connector. It is saving mounting space and ultra-low profile 0.45mm mounting height by adopting guide-less.

FEATURE

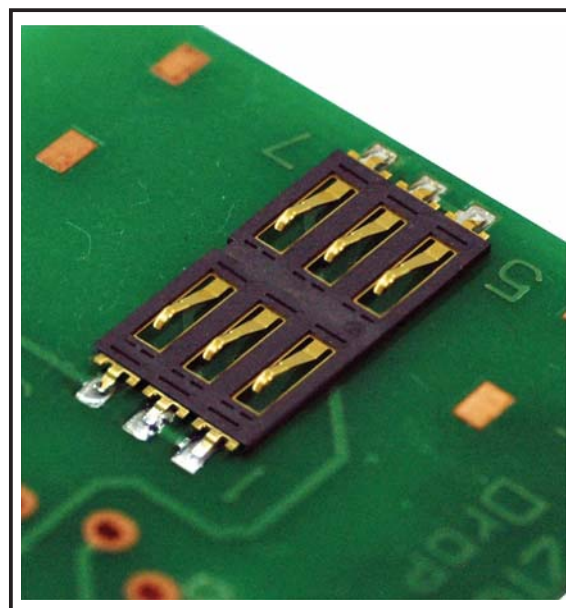
- ◆ Comforms to GSM11.11 standard
- ◆ Ultra-low profile and small space
- ◆ SIM card guide less type
- ◆ Compatible to Automatic Mounting Machine
- ◆ RoHS Compliant

APPLICATIONS

Mobile phone, PDA, Small Digital Equipment

SPECIFICATIONS

Rated Voltage	15V DC max.
Rated Current	1A / Contact
Dielectric Withstanding Voltage	500V AC(r.m.s.) / 1 minute
Insulation Resistance	100M Ω min. at 500V DC
Contact Resistance	70m Ω max.
Durability	5,000 times
Operating Temperature	-40°C~ +85°C



MATERIAL/FINISH



Item	Material / Finish
Contact	Copper Alloy / Contact Area : Au over Ni Plating Tail Area : Au(Flash) over Ni Plating
Housing	LCP Resin (UL94V-0) / Black

© Specifications and/or dimensions in this catalogue are subject to change without notice.
Your catalogue checking the latest specifications with our drawings would be highly appreciated.

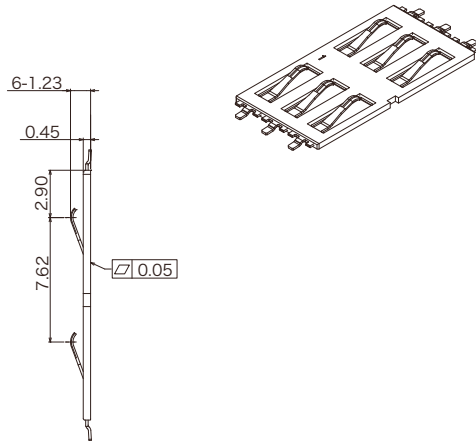
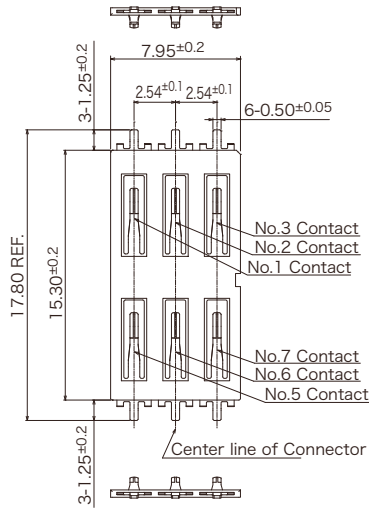
▶ SIM/UIM Card Connector

TEN-RY06-L02-FG

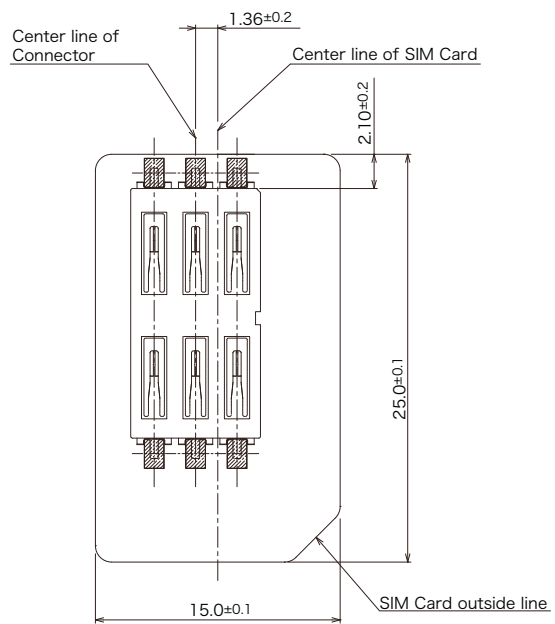
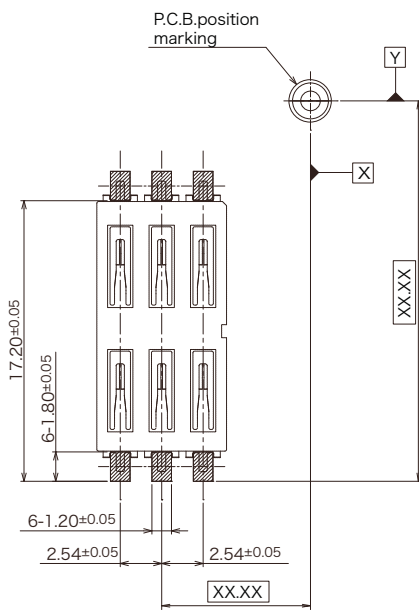
Number of Contact
6 Contacts

Contact Plating
02 : Contact Area : Au over Ni Plating
Tail Area : Au (Flash) over Ni Plating

Dimensions



Recommended PCB Layout

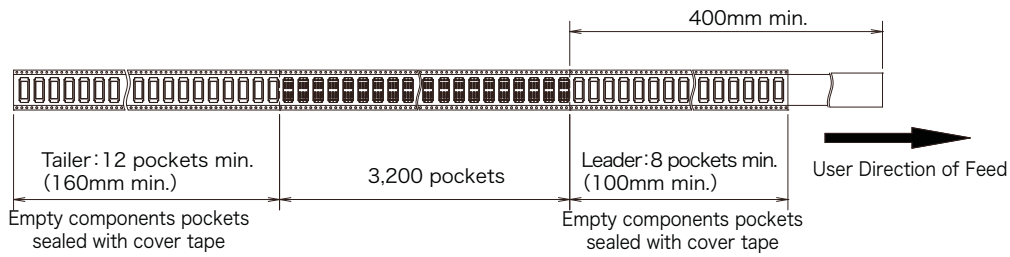
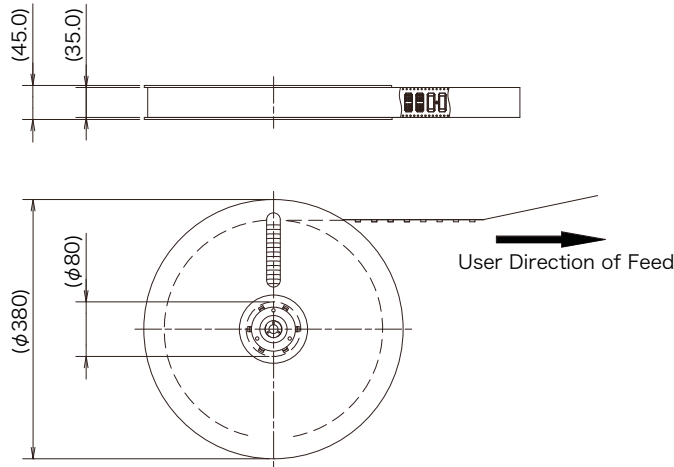


SIM Card inserting direction
(View from connector mounting side)

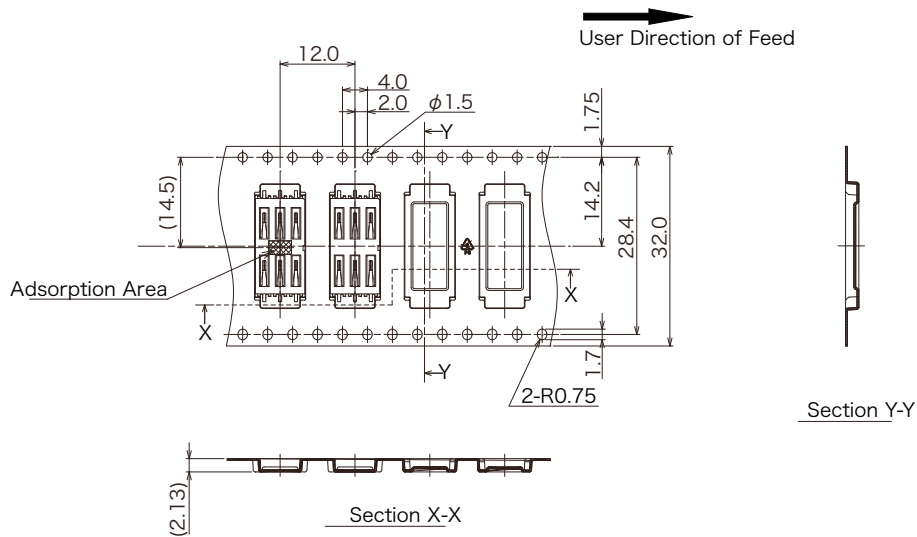
© Specifications and/or dimensions in this catalogue are subject to change without notice.
Your catalogue checking the latest specifications with our drawings would be highly appreciated.

▶ Packing Specifications

◆ Reel Package



◆ Tape and Reel Dimensions



◆ Quantity : 3,200pcs./reel

© Specifications and/or dimensions in this catalogue are subject to change without notice.
Your catalogue checking the latest specifications with our drawings would be highly appreciated.