

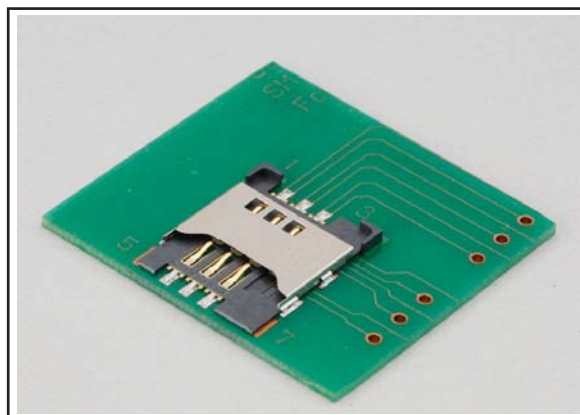
Ultra Low Profile SIM/UIM Card Connector

TEK Series

DDK Ltd.

OUTLINE

TEK series is a SIM/UIM card connector. It is saving mounting space and ultra-low profile 1.45mm mounting height.



FEATURE

- ◆ Standard and reverse mounting style
- ◆ Conforms to GSM11.11 standard
- ◆ Ultra-low profile and small mounting space
- ◆ Ground tabs for ESD
- ◆ RoHS Compliant

APPLICATIONS

Mobile phone, PDA, Small Digital Equipment

SPECIFICATIONS

Rated Voltage	15V DC max.
Rated Current	1A / Contact
Dielectric Withstanding Voltage	500V AC(r.m.s.) / 1 minute
Insulation Resistance	100M Ω min. at 500V DC
Contact Resistance	70m Ω max.
Durability	5,000 times
Operating Temperature	-40°C ~ +85°C

MATERIAL / FINISH



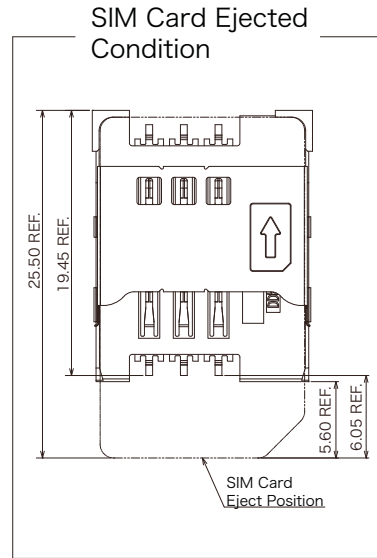
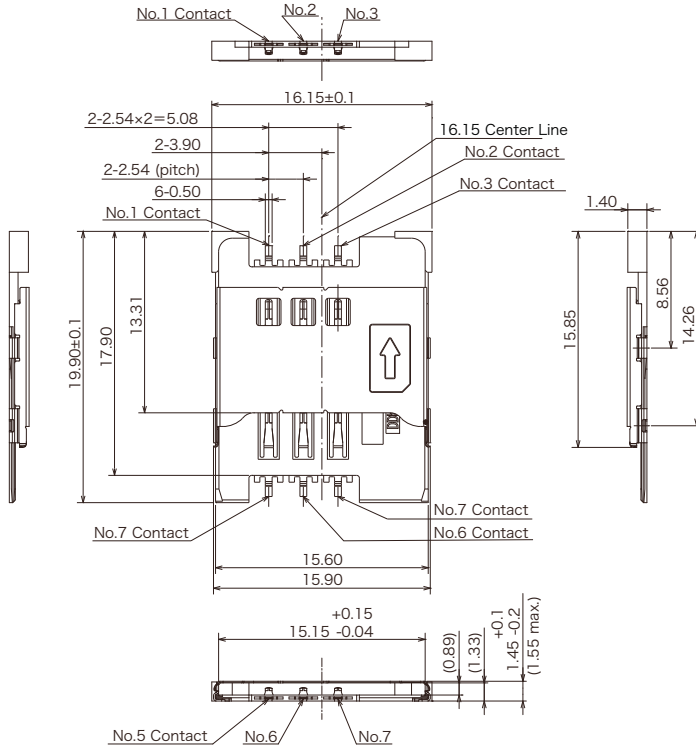
Item	Material / Finish
Contact	Copper Alloy / Contact Area : Au over Ni Plating Tail Area : Au(Flash) over Ni Plating
Shell	Copper Alloy / Tail Area : Au(Flash) over Ni Plating
Housing	LCP Resin (UL94V-0) / Black

▶ SIM/UIM Card Connector

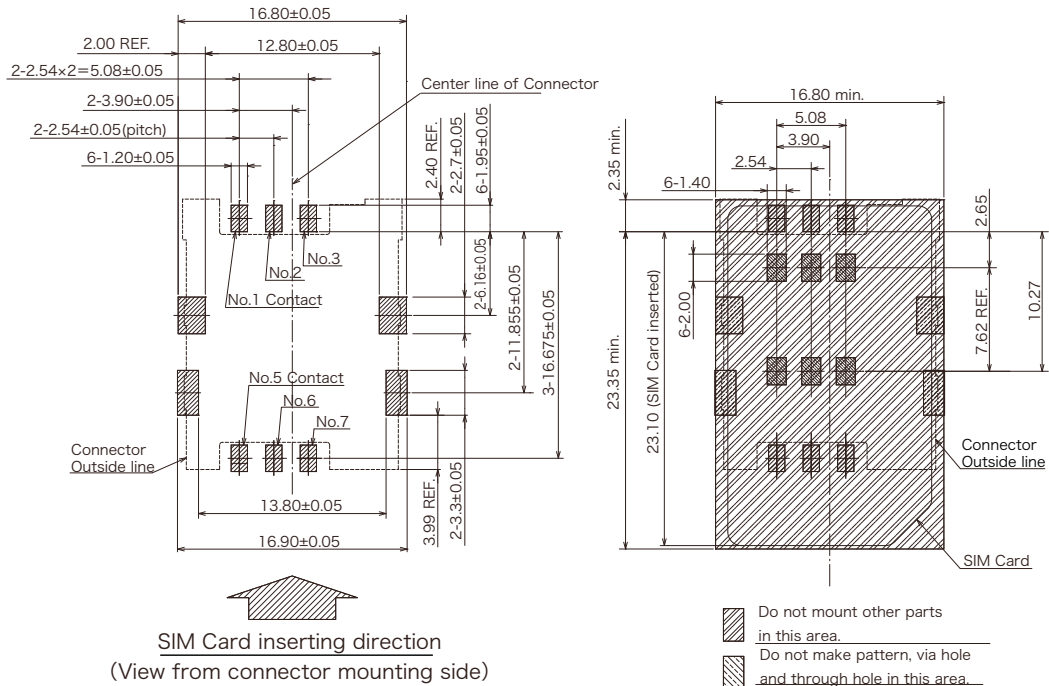
TEK-RF06-L02-FG

Number of Contact
6 Contacts

Contact Plating
02 : Contact Area Ni Plating
Tail Area Au(Flash) over Ni Plating



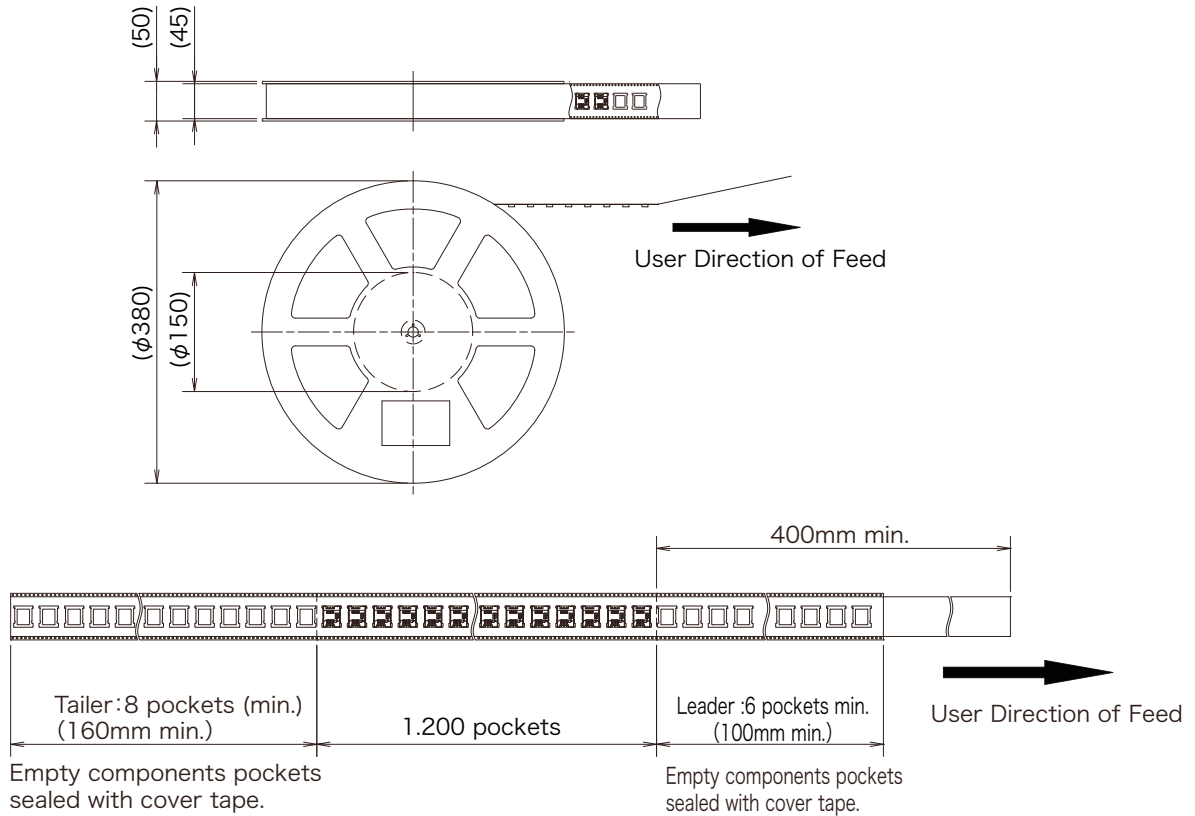
Recommended PCB Layout



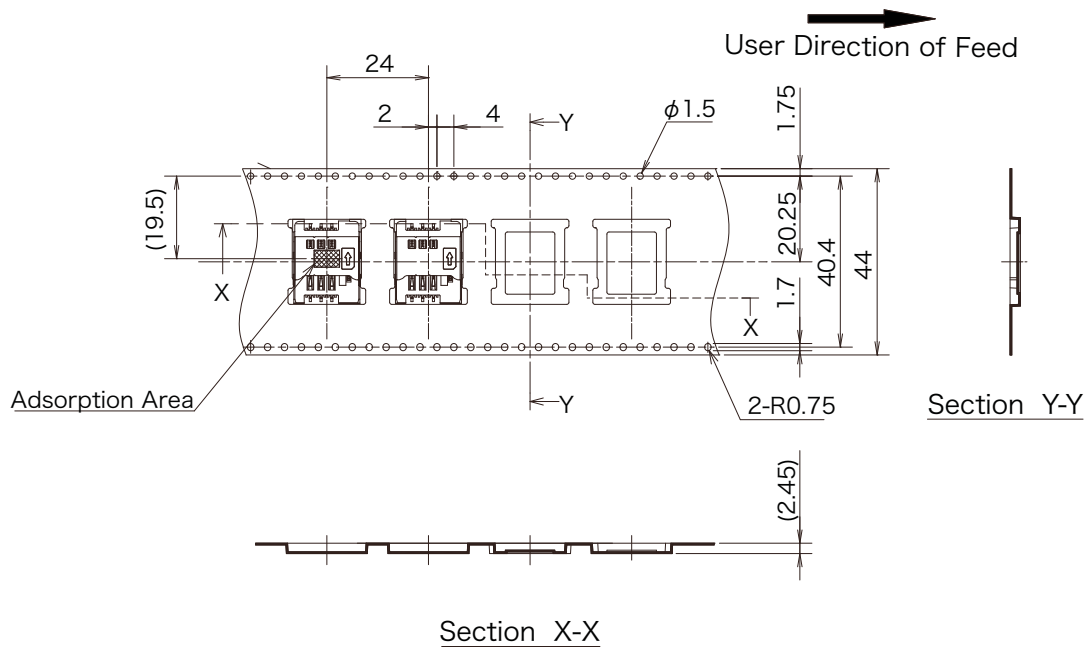
© Specifications and/or dimensions in this catalogue are subject to change without notice.
Your catalogue checking the latest specifications with our drawings would be highly appreciated.

▶ Packing Specifications

◆ Reel Package



◆ Tape and Reel Dimensions



◆ Quantity 1200pcs./reel

© Specifications and/or dimensions in this catalogue are subject to change without notice.
Your catalogue checking the latest specifications with our drawings would be highly appreciated.