

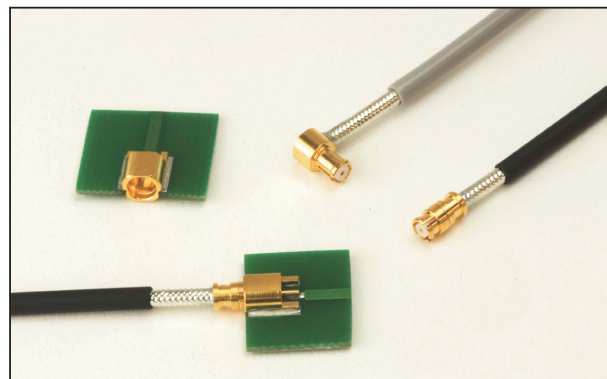
Small Coaxial Connectors

PSD Series

DDK Ltd.

OUTLINE

PSD series is Miniature push-on lock coaxial connectors conforming to the MIL-STD-348A SMP requirements. Unsteadiness characteristic of the push-on mating type is less, providing stable performance up to high frequency.



CONFORMING STANDARD

MIL-STD-348A

APPLICATIONS

Used for wireless base station devices, measurement equipment, microwave communication devices, etc

SPECIFICATIONS

Characteristic Impedance	50 Ω
Rated Voltage	335VAC(r.m.s.)
Dielectric Withstanding Voltage	500V AC (r.m.s.) / 1 minute
Insulation Resistance	1,000M Ω (min.) at 500V DC
VSWR	1.3(max.) (DC to 28GHz)
Durability	500 times
Operating Temperature	-40 ~ +125°C

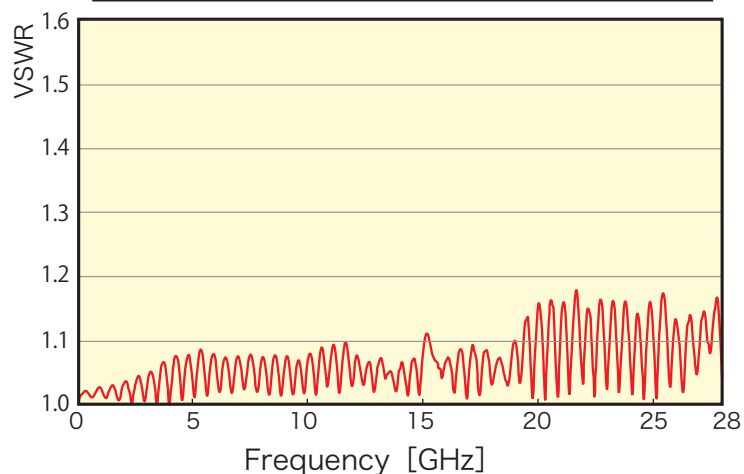
* The specifications are typical but may not apply to all connectors. Please check the specifications on each item with its drawing from us when you use.

MATERIAL / FINISH

Item	Material / Finish
Contact	Copper Alloy / Au Plating
Outer Conductor	Copper Alloy / Au Plating
Insulator	PTFE



PSD-SJ-FCCA1-SO×2 L=200mm VSWR



© Please acknowledge that the specification etc. of this catalog might change by the improvement etc. without notice. Moreover, the characteristic and the specification of the published product are the reference values. Please confirm the content with the latest delivery specifications when you use the product.

Characteristic Impedance

50 Ω

Frequency Range

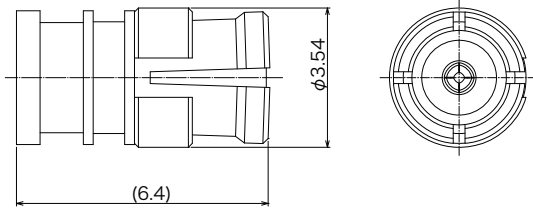
DC to 28GHz

Lock Type

Push On

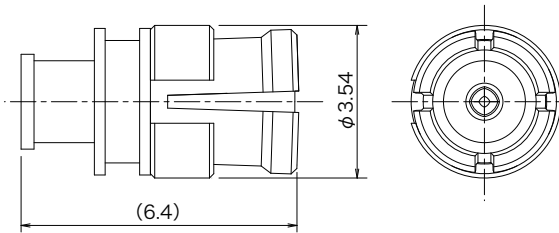
▶ Straight Jack

[UT-85 type and Semi-Flexible Cable]



P / N	Applicable Cable	Frequency Range
PSD-SJ-FCCAV1-SO	FCCAV1 (Nissei) or Equivalent	DC to 28GHz

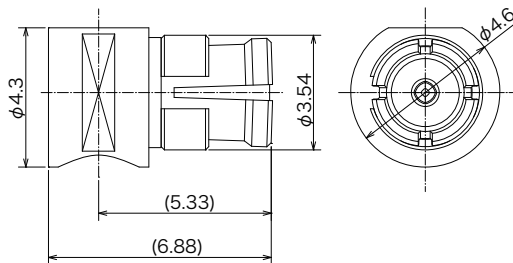
[UT-47 type and Semi-Flexible Cable]



P / N	Applicable Cable	Frequency Range
PSD-SJ-FCCAV2-SO	FCCAV2 (Nissei) or Equivalent	DC to 18GHz

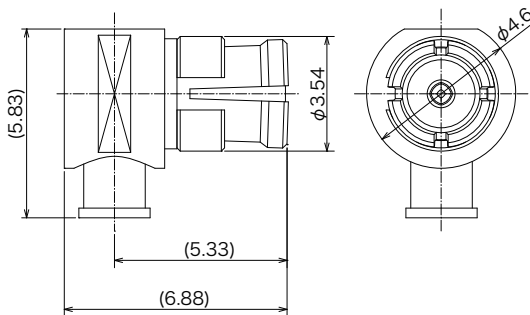
▶ Right Angle Jack

[UT-85 type and Semi-Flexible Cable]



P / N	Applicable Cable	Frequency Range
PSD-LJ-FCCAV1-SO	FCCAV1 (Nissei) or Equivalent	DC to 18GHz

[UT-47 type and Semi-Flexible Cable]

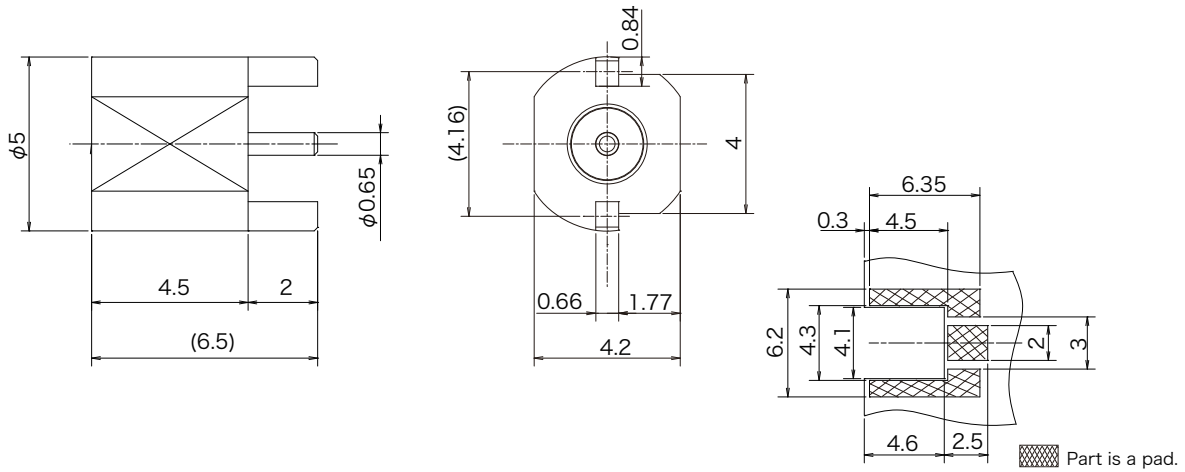


P / N	Applicable Cable	Frequency Range
PSD-LJ-FCCAV2-SO	FCCAV2 (Nissei) or Equivalent	DC to 18GHz

© Please acknowledge that the specification etc. of this catalog might change by the improvement etc. without notice.
 Moreover, the characteristic and the specification of the published product are the reference values.
 Please confirm the content with the latest delivery specifications when you use the product.

▶ Right Angle Plug Receptacle

P / N	Frequency Range
PSD-LPR-PS	DC to 18GHz



RECOMMENDED FOOTPRINT PATTERN

Note: For more information on the adapter, refer to the adapter catalog.