

# Reverse Bayonet Coupling Connectors

## DCA Series

## DDK Ltd.

**Non-RoHS**

### OUTLINE

DDK DCA series is a bayonet coupling connector which utilizes MIL-DTL-5015 insert arrangements and is compatible with VG95234. The inserts are made of the synthetic rubber and can cope with various environments required by the industrial applications. DCA "F" style and "R" style are designed to prevent dust, oil and water from intruding into the connectors.

The DCA series is suitable for applications such as servo motors, machine tools and factory automation equipment. (We started making new toolings for DCA connectors as our new products. Please contact the nearest sales offices or distributors on availability.)



### FEATURES

- >Quick positive bayonet coupling.
- >Audible, tactile and visual indication of full coupling.
- >IP67 when mated and used with suitable accessories, grommet or a waterproof backshell.
- >Contacts available in both crimp and solder terminations,
- >High shock and vibration capabilities.
- >Operating temperature range: -55°C to 125°C with Neoprene insert.
- >Intermateable with existing VG95234 connectors.
- >Available in OD chromate finish, RoHS compliant black chromate finish and Nickel plating.

### SPECIFICATIONS

#### Rated Voltage

Service Rating	DC	AC(r.m.s)
INST	250	200
A	700	500
D	1250	900
E	1750	1250
B	2450	1750
C	4200	3000

#### Rated Current

Contact Size	Contact Size	Max. Value per Contact(A)
# 16	φ 1.6	13A
# 12	φ 2.4	23A
# 8	φ 3.6	46A
# 4	φ 5.7	80A
# 0	φ 9.1	150A

### APPLICABLE CABLE

Contact Size	AWG	Nominal Sectional Area	Maximum Conductor Dia.
#16	#16 - #22	1.25mm <sup>2</sup>	1.6mm
#12	#12 - #14	3.50mm <sup>2</sup>	2.5mm
#8	#8 - #10	8.00mm <sup>2</sup>	4.5mm
#4	#4 - #6	22.00mm <sup>2</sup>	7.0mm
#0	#0 - #2	50.00mm <sup>2</sup>	11.0mm

### MATERIAL / FINISH

Item	Material / Finish
Contact	Copper Alloy / Silver Plating
Insert	Ethylene Propylene Rubber / Black
Shell	Aluminum Alloy / Zinc Plating , OD Chromate Finish, Black Chromate Finish or Nickel Plating

© Specifications and/or dimensions in this catalog are subject to change without notice. © Your checking the latest specifications with our drawings would be highly appreciated.

Conforming  
Standard  
MIL-DTL-5015

Waterproof  
IP67

Lock Type  
Bayonet

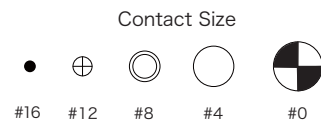
▶ Insert Arrangement List

Number of Contact	1 Contacts				2 Contacts			
Insert Arrangement								
Insert Number	20-2	10SL-4	12S-3	18-3				
Contact Size	1-#0	2-#16	2-#16	2-#12				
Service Rating	D	A	A	D				

Number of Contact	3 Contacts			
Insert Arrangement				
Insert Number	10SL-3	14S-7	16S-5	16-10
Contact Size	3-#16	3-#16	3-#16	3-#12
Service Rating	A	A	A	A

Number of Contact	4 Contacts				
Insert Arrangement					
Insert Number	14S-2	16-9	18-10	22-22	32-17
Contact Size	4-#16	2-#12/2-#16	4-#12	4-#8	4-#4
Service Rating	INST.	A	A	A	D

Number of Contact	5 Contacts			
Insert Arrangement				
Insert Number	14S-5	16S-8	18-11	28-5B
Contact Size	5-#16	5-#16	5-#12	2-#4/3-#8
Service Rating	INST.	A	A	D (A, B) A (C, D, E)



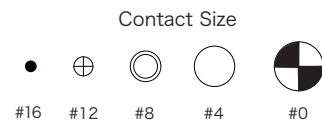
▶ Insert Arrangement List

Number of Contact	6 Contacts		7 Contacts		
Insert Arrangement					
Insert Number	14S-6	36-3	16S-1	20-15	24-10
Contact Size	6-#16	3-#0/3-#12	7-#16	7-#12	7-#8
Service Rating	INST.	D	A	A	A

Number of Contact	10 Contacts		11 Contacts
Insert Arrangement			
Insert Number	18-1	18-19	20-33
Contact Size	10-#16	10-#16	11-#16
Service Rating	A (B,C,F,G) INST. (Others)	A	A

Number of Contact	14 Contacts		17 Contacts	19 Contacts
Insert Arrangement				
Insert Number	20-27	22-19	20-29	22-14
Contact Size	14-#16	14-#16	17-#16	19-#16
Service Rating	A	A	A	A

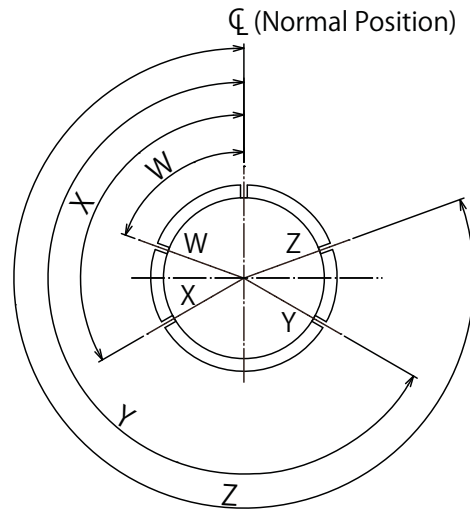
Number of Contact	24 Contacts	37 Contacts	48 Contacts
Insert Arrangement			
Insert Number	24-28	28-21	36-10
Contact Size	24-#16	37-#16	48-#16
Service Rating	INST.	A	A



© Specifications and/or dimensions in this catalog are subject to change without notice. © Your checking the latest specifications with our drawings would be highly appreciated.

▶ Alternate Insert Position

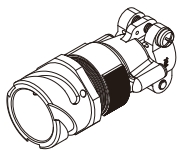
Insert No.	Key / Keyway No.			
	W	X	Y	Z
10SL-3	—	—	—	—
10SL-4	—	—	—	—
12S-3	70°	145°	215°	290°
14S-2	—	120°	240°	—
14S-5	—	110°	—	—
14S-6	—	—	—	—
14S-7	90°	180°	270°	—
16S-1	80	—	—	280°
16S-5	70°	145°	215°	290°
16S-8	—	170°	265°	—
16-9	35°	110°	250°	325°
16-10	90°	180°	270°	—
18-1	70°	145°	215°	290°
18-3	35°	110°	250°	325°
18-10	—	120°	240°	—
18-11	—	170°	265°	—
18-19	—	120°	240°	—
20-2	—	—	—	—
20-15	80°	—	—	280°
20-27	35°	110°	250°	325°
20-29	80°	—	—	280°
20-33	—	—	—	—
22-14	80°	110°	250°	280°
22-19	80°	110°	250°	280°
22-22	—	110°	250°	—
24-10	80°	—	—	280°
24-28	80°	110°	250°	280°
28-5B	—	—	—	—
28-21	80°	110°	250°	280°
32-17	45°	110°	250°	—
36-3	70°	145°	215°	290°
36-10	80°	125°	235°	280°



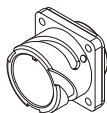
Front Face of Pin Insert or Rear Face of Socket Insert

▶ Connector Combination

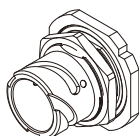
Receptacle Connector



Cable Receptacle  
DCA3101E

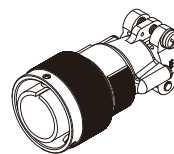


Box Receptacle  
DCA3102E  
DCA3102R

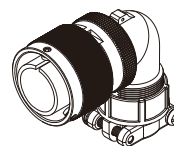


Jam-Nut Receptacle  
DCA3107E

Plug Connector



Straight Plug  
DCA3106F



Angle Plug  
DCA3108F

## ▶ Insert Specifications

Shell Size	Insert Number	Contact Size					Service Rating
		#0	#4	#8	#12	#16	
10SL	10SL-3					3	A
	10SL-4					2	A
12S	12S-3					2	A
14S	14S-2					4	INST
	14S-5					5	INST
	14S-6					6	INST
	14S-7					3	A
16S	16S-1					7	A
	16S-5					3	A
	16S-8					5	A
16	16-9				2	2	A
	16-10				3		A
18	18-1					10	A(B,C,F,G)/INST(Other)
	18-3				2		A
	18-10				4		A
	18-11				5		A
	18-19					10	A
20	20-2	1					D
	20-15				7		A
	20-27					14	A
	20-29					17	A
	20-33					11	A
22	22-14					19	A
	22-19					14	A
	22-22			4			A
24	24-10			7			A
	24-28					24	INST
28	28-5B		2	3			A(C,D,E)/D(A,B)
	28-21					37	A
32	32-17		4				D
36	36-3	3			3		D
	36-10					48	A

Note : 10SL-3 and 10SL-4 arrangement available only with pin contacts in receptacle and socket contacts in plug ( Example : DCA3102R10SL-3P, DCA3102R10SL-4P, DCA3106F10SL-3S, DCA3106F10SL-4S)

▶ DCA Part Numbering System

**DCA3106F20-29SW-BSS-1**

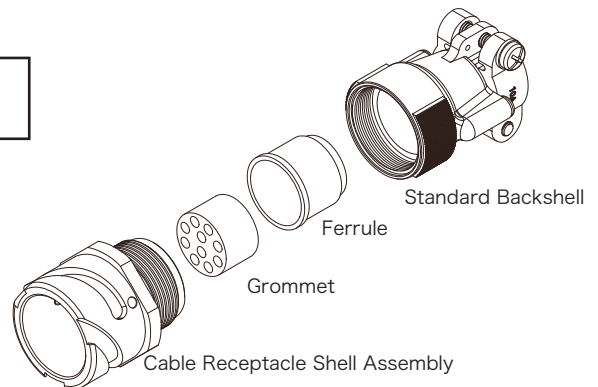
① ② ③ ④ ⑤ ⑥ ⑦ ⑧ ⑨

① Connector Series	DCA : Reverse Bayonet Style
② Connector Style	3101 : Cable connecting receptacle ( in-line receptacle ) 3102 : Box mounting receptacle 3106 : Straight plug 3107 : Jam nut receptacle 3108 : 90 degree angle plug
③ Gasket	E : Environmental with rubber insert F : Environmental with rubber insert and gasket R : Environmental with rubber insert and gasket ( 3102 Only ) R : Environmental with rubber insert and potting backshell (3100, 3101, 3106)
④ Shell Size	10SL, 12S, 14S, 16S, 16, 18, 20, 22, 24, 28, 32, 36
⑤ Insert Arrangement	Refer to page 2 ~ 3
⑥ Contact Configuration (style)	P : Solder pin contacts S : Solder socket contacts PC : Crimp pin contacts SC : Crimp socket contacts
⑦ Alternate Insert Position	Omit : Normal position "W", "X", "Y", "Z" : Refer to page 4
⑧ Backshell Style	BSN : With non - waterproof straight backshell BSS : With waterproof straight backshell BSL : With waterproof Long straight backshell
⑨ Applicable Cable Diameter	0 : With non - waterproof cable clamp 1 ~ 8 : With waterproof cable clamp

▶ Cable Receptacle Connector

**DCA3101E** □□□□ - □□ P / S □ - □

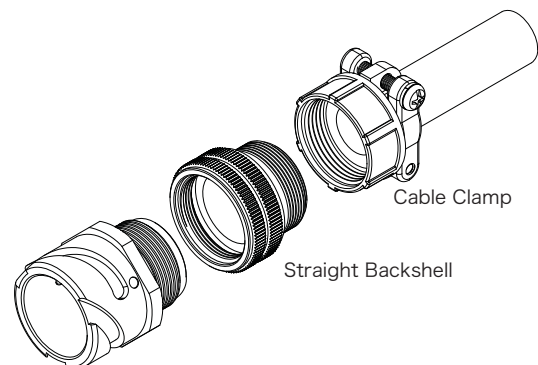
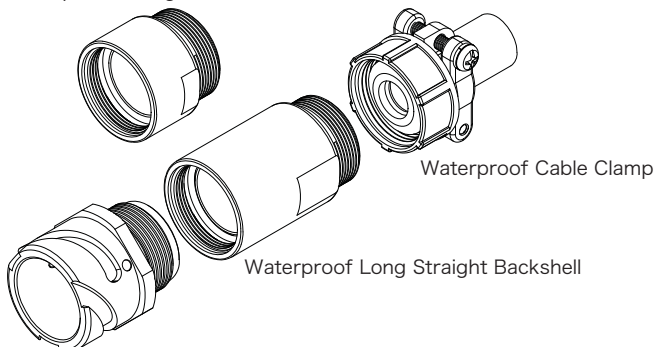
**DCA3101E** □□□□ - □□ P / S □ - □□□□ - □



**DCA3101E** □□□□ - □□ P / S □ - BS □ - □

**DCA3101E** □□□□ - □□ P / S □ - BSN - □

Waterproof Straight Backshell



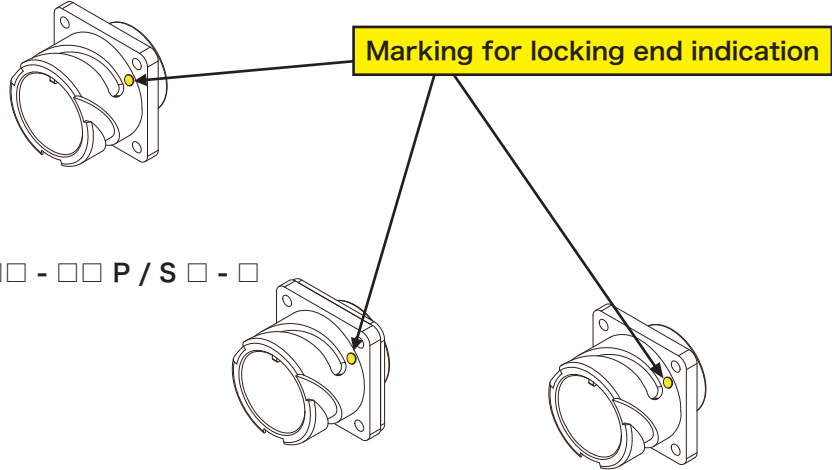
© Specifications and/or dimensions in this catalog are subject to change without notice. © Your checking the latest specifications with our drawings would be highly appreciated.

▶ Box Mounting Receptacle Connector

DCA-3102E □□□□ - □□□□ - □

DCA-3102R □□□□ - □□□□ - □ ( With Gasket )

DCA3102E □□□□ - □□ P / S □ - □

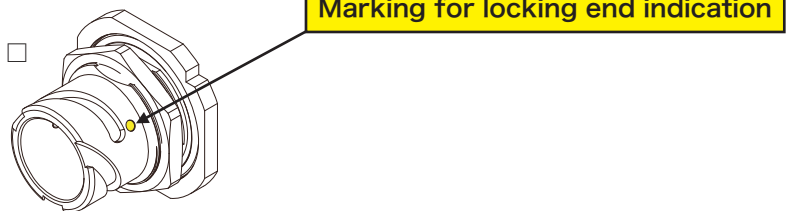


DCA3102R □□□□ - □□ P / S □ - □

▶ Jam-Nut Receptacle Connector

DCA3107E □□□□ - □□□□ - □

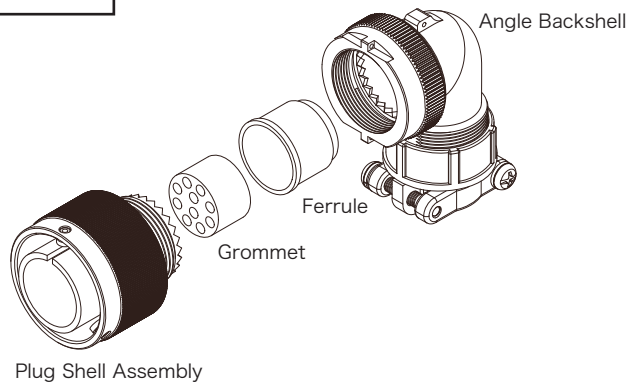
DCA3107E □□□□ - □□ P / S □ - □



▶ Angle Backshell

DCA3108F □□□□ - □□□□ - □ ( With Gasket )

DCA3108F □□□□ - □□ P / S □ - □

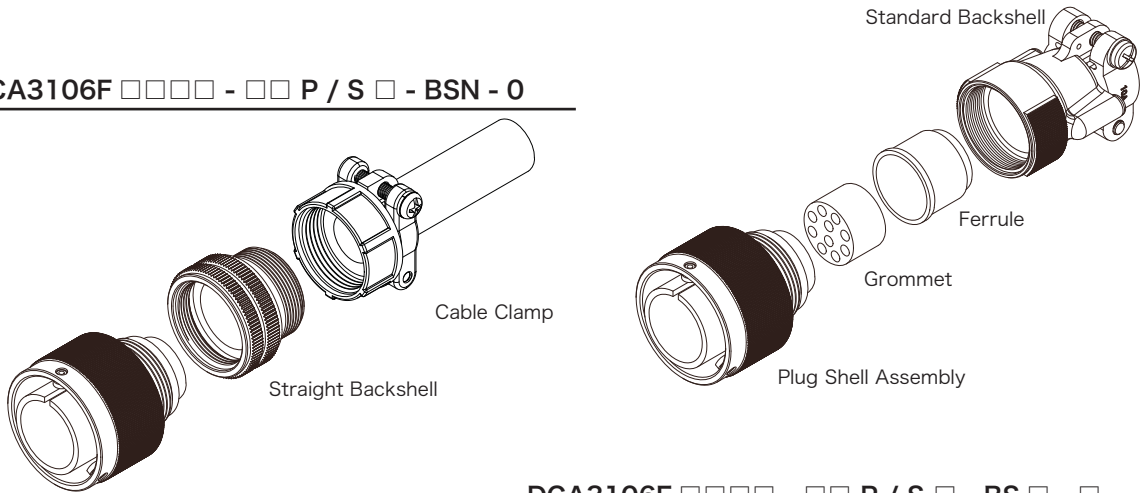


▶ Straight Plug Connector

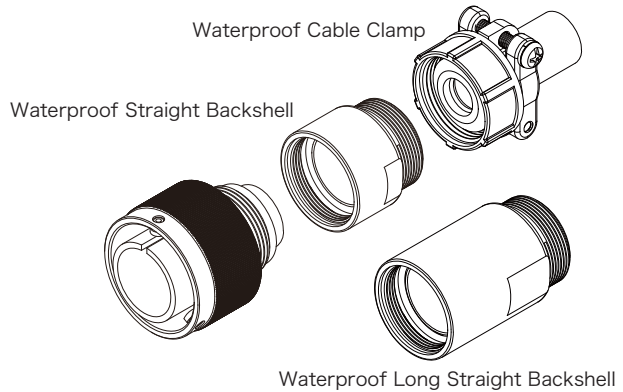
DCA3106F □□□□ - □□□□ - □ ( With Gasket )

DCA3106F □□□□ - □□ P / S □ - □

DCA3106F □□□□ - □□ P / S □ - BSN - 0



DCA3106F □□□□ - □□ P / S □ - BS □ - □



▶ Contact

Solder Type



Pin Contact  
DMSE- # □□ P □



Socket Contact  
DMSE- # □□ S □

Crimp Type



Pin Contact  
DMSE- # □□ P-C □

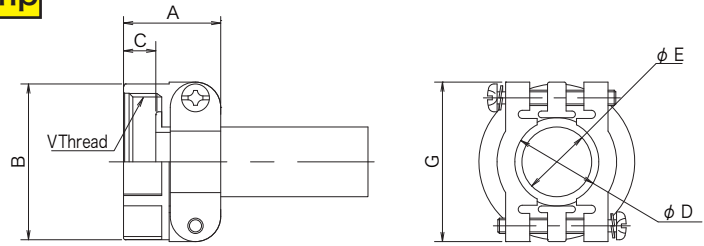


Socket Contact  
DMSE- # □□ S-C □

▶ Applicable Clamp

With non-waterproof Cable Clamp

DMS3057- □□ AK

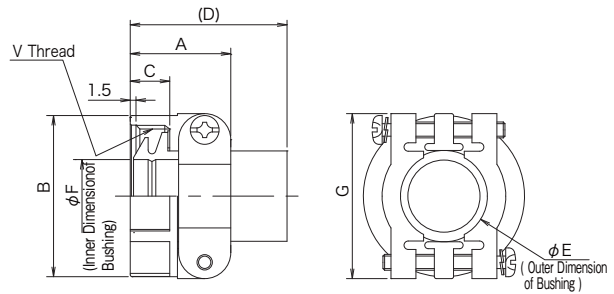


※ Applicable Cable Diameter  
0 : With non-waterproof cable clamp

※ ⑨	Part Number	Shell Size	A±0.7	B±0.7	C	D	E	G±0.7	V	Bushing Part Number
0	DMS3057-4AK	10SL,12S	20.6	20.6	10.3	7.9	5.6	22.2	5/8-24UNEF	AN3420-4
0	DMS3057-6AK	14S	22.2	24.6	10.3	11.2	7.9	27.0	3/4-20UNEF	AN3420-6
0	DMS3057-8AK	16S,16	23.8	27.8	10.3	14.3	11.1	29.4	7/8-20UNEF	AN3420-8
0	DMS3057-10AK	18	23.8	30.1	10.3	15.9	14.3	31.7	1-20UNEF	AN3420-10
0	DMS3057-12AK	20,22	23.8	35.0	10.3	19.0	15.9	37.3	1 3/16-18UNEF	AN3420-12
0	DMS3057-16AK	24,28	26.2	42.1	10.3	23.8	19.1	42.9	1 7/16-18UNEF	AN3420-16
0	DMS3057-20AK	32	27.8	51.6	11.9	31.7	23.8	51.6	1 3/4-18UNS	AN3420-20
0	DMS3057-24AK	36	29.4	56.4	13.5	34.9	31.8	58.0	2-18UNS	AN-3420-24

With Waterproof Cable Clamp

CE3057- □□ A- □



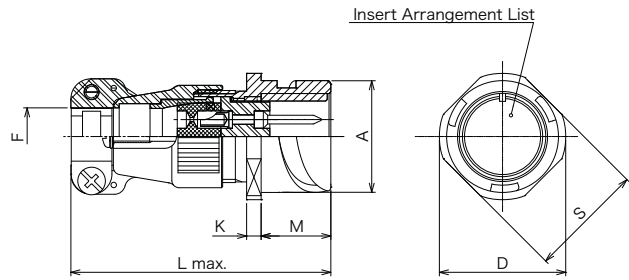
※ Applicable Cable Diameter  
1 ~ 8 : With waterproof cable clamp

※ ⑨	Part Number	Shell Size	A	B	C	(D)	E	F	G	V	Bushing Part Number	Applicable Cable
1	CE3057-4A-1	10SL,12S	20.62	20.6	10.31	(41.3)	8.0	5.6	22.2	5/8-24UNEF-2B	CE3420-4-1	φ 3.6 ~ φ 5.6
1	CE3057-6A-1	14S	22.20	24.6	10.31	(41.3)	10.8	9	27	3/4-20UNEF-2B	CE3420-6-1	φ 7.0 ~ φ 9.0
1	CE3057-8A-1	16S,16	23.83	27.8	10.31	(41.3)	14.0	12	29.4	7/8-20UNEF-2B	CE3420-8-1	φ 10.0 ~ φ 12.0
2	CE3057-8A-2							10.5			CE3420-8-2	φ 8.5 ~ 10.5
1	CE3057-10A-1	18	23.83	30.1	10.31	(41.3)	15.8	14.1	31.7	1-20UNEF-2B	CE3420-10-1	φ 10.5 ~ φ 14.1
2	CE3057-10A-2							11			CE3420-10-2	φ 8.5 ~ φ 11.0
3	CE3057-10A-3							8.7			CE3420-10-3	φ 6.5 ~ φ 8.7
1	CE3057-12A-1	20	23.83	35	10.31	(41.3)	19.0	16	37.3	1 3/16-18UNEF2B	CE3420-12-1	φ 12.5 ~ φ 16.0
2	CE3057-12A-2							13			CE3420-12-2	φ 9.5 ~ φ 13.0
3	CE3057-12A-3							10			CE3420-12-3	φ 6.8 ~ φ 10.0
7	CE3057-12A-7							17			CE3420-12-7	φ 14.5 ~ φ 17.0
1	CE3057-16A-1	24	26.19	42.1	10.31	(41.3)	23.8	19.1	42.9	1 7/16-18UNEF-2B	CE3420-16-1	φ 15.0 ~ φ 19.1
2	CE3057-16A-2							15.5			CE3420-16-2	φ 13.0 ~ φ 15.5
4	CE3057-16A-4							21.5			CZY005-GB-3	φ 19.1 ~ φ 21.5
6	CE3057-16A-6							20			CE3420-16-6	φ 18.5 ~ φ 20.0
7	CE3057-16A-7							13.1			CE3420-16-7	φ 11.5 ~ φ 13.5
8	CE3057-16A-8							12.5			CZY005-GB-6	φ 10.5 ~ φ 12.5
1	CE3057-20A-1	32	27.79	51.6	11.91	(43)	32.0	23.8	51.6	1 3/4-18UNS-2B	CE3420-20-1	φ 22.0 ~ φ 23.8
2	CE3057-20A-2							26.6			CE3420-20-2	φ 24.0 ~ φ 26.6
3	CE3057-20A-3							22.5			CZY005-GB-5	φ 21.0 ~ φ 22.5
1	CE3057-24A-1	36	29.4	56.4	13.5	(45.8)	34.6	32.5	58.0	2-18UNS-2B	CE3420-24-1	φ 30.0 ~ φ 32.5
2	CE3057-24A-2							29.6			CE3420-24-2	φ 27.5 ~ φ 29.6
3	CE3057-24A-3							31			AN3420-24(D264)	φ 29.0 ~ φ 31.0

© Specifications and/or dimensions in this catalog are subject to change without notice. © Your checking the latest specifications with our drawings would be highly appreciated.

▶ Cable Receptacle Connector

DCA3101E18 - □□ P □  
 ① ② ③ ④ ⑤ ⑥

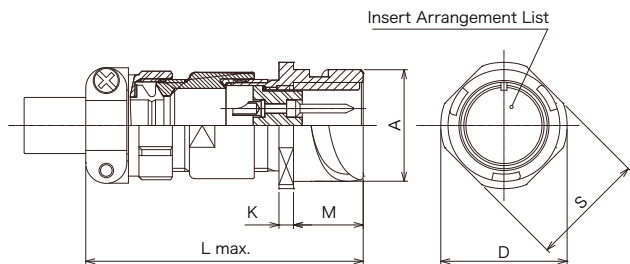


① Connector Series	3101 : Cable Receptacle Connector
② Gasket	E : Less Gasket
③ Shell Size	10SL, 12S, 14S, 16S, 16, 18, 20, 22, 24, 28, 32, 36
④ Insert Arrangement	Refer to page 2 ~ 3
⑤ Contact Style	P : Pin contacts S : Socket contacts PC : Crimp Pin contacts SC : Crimp Socket contacts
⑥ Alternate Insert Position	Omit : Normal position "W", "X", "Y", "Z" : Refer to page 4

Shell Size	φ A	K±0.5	L	M	φ D	S±0.5	φ F±0.2
10SL	18.2	2.8	53.9	14.4	25.4	20.6	8.0
12S	21.4	3.2	52.9	14.4	27.8	23.6	8.3
14S	24.6	3.2	55.4	14.4	29.8	25.4	11.1
16S	27.4	3.2	59.7	14.4	32.3	28.6	14.2
16	27.4	4.0	69.2	19.2	32.3	28.6	14.2
18	30.8	4.0	71.6	19.2	34.8	31.7	15.8
20	34.2	4.0	71.8	19.2	37.8	34.9	19.1
22	37.4	4.0	72.8	19.2	41.1	38.1	19.1
24	40.9	4.0	78.5	20.8	44.6	41.3	24.0
28	46.7	4.0	78.8	20.8	50.9	47.6	24.0
32	53.4	4.0	78.9	22.4	57.1	54.0	32.0
36	59.6	4.0	75.4	22.4	63.6	60.6	38.0

▶ Cable Receptacle Connector

DCA3101E18- □□ P □ -BSS- □  
 ① ② ③ ④ ⑤ ⑥ ⑦ ⑧



◎ Cable clamp (CE3057- □□ A- □ ) is available.

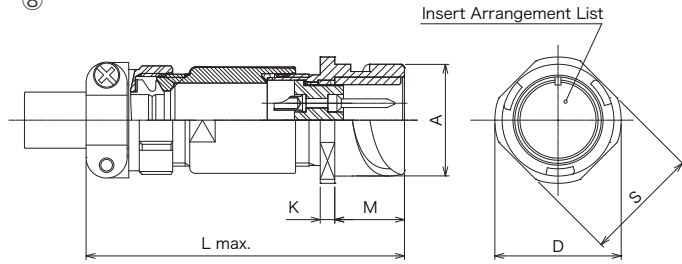
① Connector Series	3101 : Cable Receptacle
② Gasket	E : Less Gasket
③ Shell Size	10SL, 12S, 14S, 16S, 16, 18, 20, 22, 24, 28, 32, 36
④ Insert Arrangement	Refer to page 2 ~ 3
⑤ Contact Style	P : Pin contacts S : Socket contacts PC : Crimp Pin contacts SC : Crimp Socket contacts
⑥ Alternate Insert Position	Omit : Normal position "W", "X", "Y", "Z" : Refer to page 4
⑦ Backshell	BSS : Waterproof Straight Backshell
⑧ Applicable Cable Diameter	1 ~ 8 : With waterproof cable clamp

Shell Size	φ A	K±0.5	L	M	φ D	S±0.5
10SL	18.2	2.8	59.6	14.4	25.4	20.6
12S	21.4	3.2	58.0	14.4	27.8	23.6
14S	24.6	3.2	65.7	14.4	29.8	25.4
16S	27.4	3.2	66.4	14.4	32.3	28.6
16	27.4	4.0	75.9	19.2	32.3	28.6
18	30.8	4.0	76.4	19.2	34.8	31.7
20	34.2	4.0	78.5	19.2	37.8	34.9
22	37.4	4.0	84.1	19.2	41.1	38.1
24	40.9	4.0	91.1	20.8	44.6	41.3
28	46.7	4.0	98.5	20.8	50.9	47.6
32	53.4	4.0	107.8	22.4	57.1	54.0
36	59.6	4.0	109.8	22.4	63.6	60.6

◎ Specifications and/or dimensions in this catalog are subject to change without notice. ◎ Your checking the latest specifications with our drawings would be highly appreciated.

▶ Cable Receptacle Connector

DCA3101E18 - □□ P □ - BSL - □  
 ① ② ③ ④ ⑤ ⑥ ⑦ ⑧



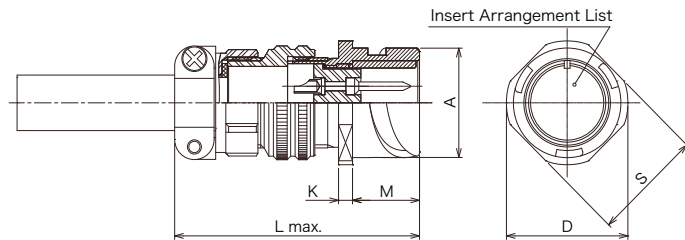
◎ Cable clamp (CE3057- □□ A- □ ) is available.

① Connector Series	3101 : Cable Receptacle
② Gasket	E : Less Gasket
③ Shell Size	10SL, 12S, 14S, 16S, 16, 18, 20, 22, 24, 28, 32, 36
④ Insert Arrangement	Refer to page 2 ~ 3
⑤ Contact Style	P : Pin contacts S : Socket contacts PC : Crimp Pin contacts SC : Crimp Socket contacts
⑥ Alternate Insert Position	Omit : Normal position "W", "X", "Y", "Z" : Refer to page 4
⑦ Backshell	BSL : Waterproof Long straight Backshell
⑧ Applicable Cable Diameter	1 ~ 8 : With waterproof cable clamp

Shell Size	φ A	K±0.5	L	M	φ D	S±0.5
10SL	18.2	2.8	79.5	14.4	25.4	20.6
12S	21.4	3.2	79.0	14.4	27.8	23.6
14S	24.6	3.2	85.7	14.4	29.8	25.4
16S	27.4	3.2	86.4	14.4	32.3	28.6
16	27.4	4.0	95.9	19.2	32.3	28.6
18	30.8	4.0	96.4	19.2	34.8	31.7
20	34.2	4.0	98.5	19.2	37.8	34.9
22	37.4	4.0	104.1	19.2	41.1	38.1
24	40.9	4.0	111.1	20.8	44.6	41.3
28	46.7	4.0	118.5	20.8	50.9	47.6
32	53.4	4.0	127.3	22.4	57.1	54.0
36	59.6	4.0	129.8	22.4	63.6	60.6

▶ Cable Receptacle Connector

DCA3101E18 - □□ P □ - BSN - □  
 ① ② ③ ④ ⑤ ⑥ ⑦ ⑧



◎ Cable clamp (DMS3057- □□ AK) is available.

① Connector Series	3101 : Cable Receptacle
② Gasket	E : Gasket
③ Shell Size	10SL, 12S, 14S, 16S, 16, 18, 20, 22, 24, 28, 32, 36
④ Insert Arrangement	Refer to page 2 ~ 3
⑤ Contact Style	P : Pin contacts S : Socket contacts PC : Crimp Pin contacts SC : Crimp Socket contacts
⑥ Alternate Insert Position	Omit : Normal position "W", "X", "Y", "Z" : Refer to page 4
⑦ Backshell	BSN : Non - waterproof straight backshell
⑧ Applicable Cable Diameter	0 : With non - waterproof cable clamp

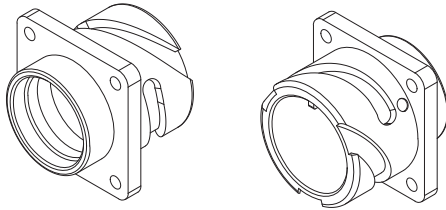
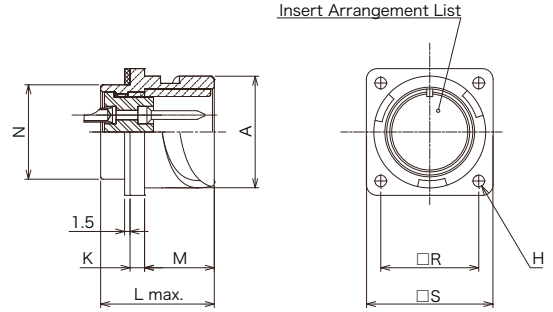
Shell Size	φ A	K±0.5	L	M	φ D	S±0.5
10SL	18.2	2.8	54.9	14.4	25.4	20.6
12S	21.4	3.2	56.4	14.4	27.8	23.6
14S	24.6	3.2	56.9	14.4	29.8	25.4
16S	27.4	3.2	59.6	14.4	32.3	28.6
16	27.4	4.0	69.1	19.2	32.3	28.6
18	30.8	4.0	70.2	19.2	34.8	31.7
20	34.2	4.0	74.2	19.2	37.8	34.9
22	37.4	4.0	73.6	19.2	41.1	38.1
24	40.9	4.0	76.8	20.8	44.6	41.3
28	46.7	4.0	79.9	20.8	50.9	47.6
32	53.4	4.0	79.1	22.4	57.1	54.0
36	59.6	4.0	79.7	22.4	63.6	60.6

◎ Specifications and/or dimensions in this catalog are subject to change without notice. ◎ Your checking the latest specifications with our drawings would be highly appreciated.

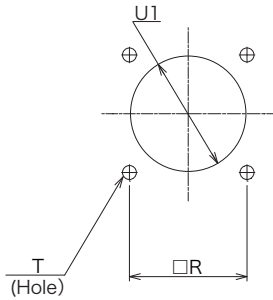
▶ Box Receptacle Connector

DCA3102R18- □ □ P □  
 ① ② ③ ④ ⑤ ⑥

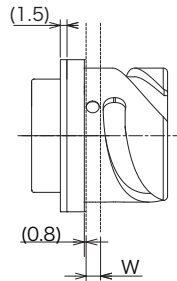
① Connector Series	3102 : Box Receptacle
② Gasket	E : Less Gasket R : With Gasket
③ Shell Size	10SL, 12S, 14S, 16S, 16, 18, 20, 22, 24, 28, 32, 36
④ Insert Arrangement	Refer to page 2 ~ 3
⑤ Contact Style	P : Pin contacts S : Socket contacts PC : Crimp Pin contacts SC : Crimp Socket contacts
⑥ Alternate Insert Position	Omit : Normal position "W", "X", "Y", "Z" : Refer to page 4



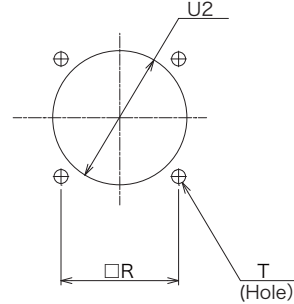
Shell Size	φ A	K±0.5	L	M	φ N±0.5	R±0.2	S±0.5	φ H
10SL	18.2	2.8	25.0	14.4	14.5	18.26	25.4	3.0
12S	21.4	3.2	26.0	14.4	15.8	20.62	27.8	3.3
14S	24.6	3.2	26.0	14.4	19.0	23.01	30.18	3.3
16S	27.4	3.2	25.5	14.4	22.0	24.61	32.54	3.3
16	27.4	4.0	31.3	19.2	22.0	24.61	32.54	3.3
18	30.8	4.0	31.3	19.2	26.0	26.94	34.93	3.3
20	34.2	4.0	32.1	19.2	29.0	29.36	38.1	3.3
22	37.4	4.0	35.0	19.2	32.0	31.75	41.28	3.3
24	40.9	4.0	35.0	20.8	35.3	34.93	45.0	3.8
28	46.7	4.0	36.0	20.8	42.0	39.67	50.8	3.8
32	53.4	4.0	39.0	22.4	47.3	44.45	57.15	4.5
36	59.6	4.0	39.5	22.4	53.3	49.23	63.5	4.5



Panel Mounting Dimension (reference)  
Front Mounting



Panel (Max)



Panel Mounting Dimension (reference)  
Front Mounting

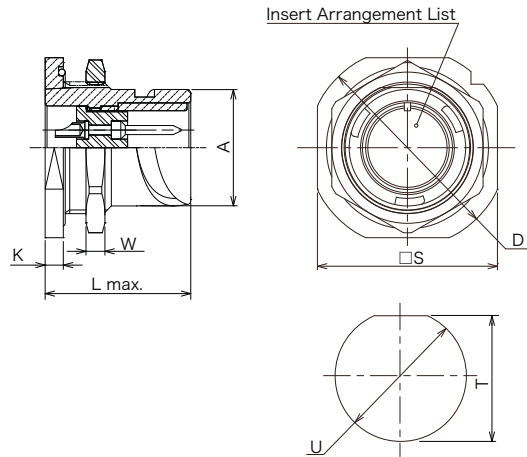
Shell Size	R±0.12	φ U1	φ U2	φ T	W
10SL	18.26	15.5	18.4	3.05	3.0
12S	20.62	16.8	21.6	3.05	3.0
14S	23.01	20.0	24.8	3.05	3.0
16S	24.61	23.0	27.6	3.05	3.0
16	24.61	22.9	27.6	3.05	3.0
18	26.94	27.0	31.0	3.05	3.0
20	29.36	30.0	34.4	3.05	3.0
22	31.75	33.0	37.6	3.05	3.0
24	34.93	36.3	41.1	3.75	3.0
28	39.67	43.0	46.9	3.75	3.0
32	44.45	48.3	53.6	4.40	3.0
36	49.23	54.3	59.8	4.40	3.0

© Specifications and/or dimensions in this catalog are subject to change without notice. © Your checking the latest specifications with our drawings would be highly appreciated.

▶ Jam-Nut Receptacle Connector

DCA3107E18- □□ P □  
 ① ② ③ ④ ⑤ ⑥

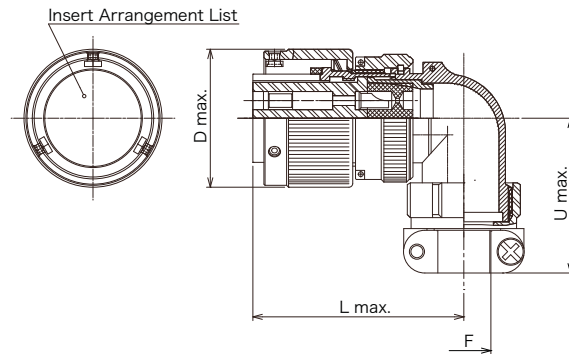
① Connector Series	3107E : Jam-Nut Receptacle
② Gasket	E : Less Gasket
③ Shell Size	10SL, 12S, 14S, 16S, 16, 18, 20, 22, 24, 28, 32, 36
④ Insert Arrangement	Refer to page 2 ~ 3
⑤ Contact Style	P : Pin contacts S : Socket contacts PC : Crimp Pin contacts SC : Crimp Socket contacts
⑥ Alternate Insert Position	Omit : Normal position "W", "X", "Y", "Z" : Refer to page 4



Shell Size	φ A	K±0.5	L	W	φ D	S±0.5	T	φ U	Panel thickness(mm)
10SL	18.2	4.0	28.5	4.0	35.0	31.8	20.9	22.7	3.5 ~ 7.0
12S	21.4	3.2	29.2	4.0	38.1	34.9	24.1	25.7	3.5 ~ 8.0
14S	24.6	4.8	31.6	4.0	47.6	41.3	27.2	28.8	5.5 ~ 9.0
16S	27.4	4.8	31.6	4.0	50.9	44.4	30.4	32.0	5.5 ~ 9.0
16	27.4	4.8	36.9	4.0	50.9	44.4	30.4	32.0	3.0 ~ 5.0
18	30.8	4.8	38.5	5.0	52.4	47.6	33.6	35.1	3.0 ~ 6.5
20	34.2	4.8	38.5	5.0	55.5	50.8	36.8	38.2	3.0 ~ 6.5
22	37.4	4.8	38.5	5.0	63.6	54.2	39.9	42.0	3.5 ~ 6.5
24	40.9	4.8	38.5	5.0	63.6	57.2	43.1	44.7	3.0 ~ 6.5
28	46.7	5.6	40.8	5.0	69.7	63.5	49.2	51.1	4.0 ~ 8.0
32	53.4	5.6	40.8	5.0	78.0	69.8	55.7	57.4	4.0 ~ 8.0
36	59.6	5.6	40.8	5.0	90.0	76.2	62.0	63.8	4.0 ~ 8.0

▶ Angle Plug Connector

DCA3108F18- □□ P □ - □  
 ① ② ③ ④ ⑤ ⑥ ⑦



◎ Cable clamp (DMS3057- □□ AK) is available.

① Connector Series	3108 : Angle Plug
② Gasket	F : With Gasket
③ Shell Size	10SL, 12S, 14S, 16S, 16, 18, 20, 22, 24, 28, 32, 36
④ Insert Arrangement	Refer to page 2 ~ 3
⑤ Contact Style	P : Pin contacts S : Socket contacts PC : Crimp Pin contacts SC : Crimp Socket contacts
⑥ Alternate Insert Position	Omit : Normal position "W", "X", "Y", "Z" : Refer to page 4
⑦ Applicable Cable Diameter	0 : With non - waterproof cable clamp

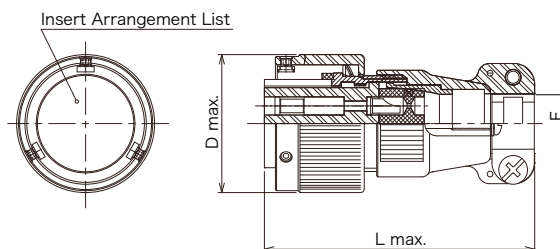
Shell Size	φ D	L	U	F±0.2
10SL	22.8	44.7	32.2	8.0
12S	25.6	43.4	32.2	8.3
14S	29.2	46.5	34.8	11.1
16S	32.0	50.9	42.0	14.2
16	32.0	56.2	42.0	14.2
18	36.5	55.8	41.0	15.8
20	39.9	58.8	42.3	19.1
22	43.1	63.0	45.9	19.1
24	46.6	64.9	48.7	24.0
28	53.4	66.4	51.2	24.0
32	59.7	73.9	62.3	32.0
36	66.0	72.8	66.1	38.0

◎ Specifications and/or dimensions in this catalog are subject to change without notice. ◎ Your checking the latest specifications with our drawings would be highly appreciated.

## ▶ Straight Plug Connector

DCA3106F18- □ □ P □

① ② ③ ④ ⑤ ⑥



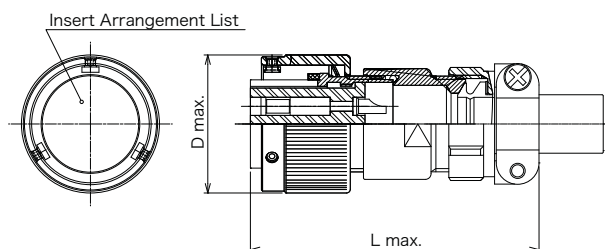
① Connector Series	3106 : Straight Plug
② Gasket	F : With Gasket
③ Shell Size	10SL, 12S, 14S, 16S, 16, 18, 20, 22, 24, 28, 32, 36
④ Insert Arrangement	Refer to page 2 ~ 3
⑤ Contact Style	P : Pin contacts S : Socket contacts PC : Crimp Pin contacts SC : Crimp Socket contacts
⑥ Alternate Insert Position	Omit : Normal position "W", "X", "Y", "Z" : Refer to page 4

Shell Size	φ D	L	F±0.2
10SL	22.8	54.4	8.0
12S	25.6	52.9	8.3
14S	29.2	55.3	11.1
16S	32.0	62.6	14.2
16	32.0	69.1	14.2
18	36.5	71.5	15.8
20	39.9	71.7	19.1
22	43.1	72.8	19.1
24	46.6	78.6	24.0
28	53.4	78.5	24.0
32	59.7	77.5	32.0
36	66.0	75.4	38.0

## ▶ Straight Plug Connector

DCA3106F18- □ □ P □ - BSS - □

① ② ③ ④ ⑤ ⑥ ⑦ ⑧



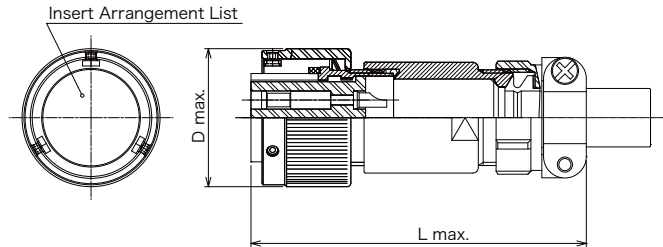
◎ Cable clamp (CE3057- □ □ A- □ ) is available.

① Connector Series	3106 : Straight Plug
② Gasket	F : With Gasket
③ Shell Size	10SL, 12S, 14S, 16S, 16, 18, 20, 22, 24, 28, 32, 36
④ Insert Arrangement	Refer to page 2 ~ 3
⑤ Contact Style	P : Pin contacts S : Socket contacts PC : Crimp Pin contacts SC : Crimp Socket contacts
⑥ Alternate Insert Position	Omit : Normal position "W", "X", "Y", "Z" : Refer to page 4
⑦ Backshell	BSS : Waterproof Straight Backshell
⑧ Applicable Cable Diameter	1 ~ 8 : With waterproof cable clamp

Shell Size	φ D	L
10SL	22.8	60.0
12S	25.6	59.0
14S	29.2	65.7
16S	32.0	69.3
16	32.0	75.8
18	36.5	76.3
20	39.9	78.4
22	43.1	84.3
24	46.6	93.4
28	53.4	98.2
32	59.7	105.9
36	66.0	109.8

## ▶ Straight Plug Connector

DCA3106F18-□□P□-BSL-□  
 ① ② ③ ④ ⑤ ⑥ ⑦ ⑧



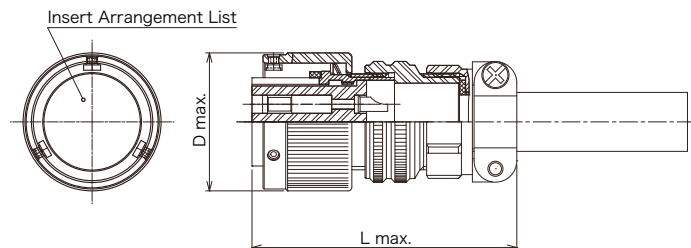
◎ Cable clamp (CE3057-□□A-□) is available.

① Connector Series	3106 : Straight Plug
② Gasket	F : With Gasket
③ Shell Size	10SL, 12S, 14S, 16S, 16, 18, 20, 22, 24, 28, 32, 36
④ Insert Arrangement	Refer to page 2 ~ 3
⑤ Contact Configuration (style)	P : Pin contacts S : Socket contacts PC : Crimp Pin contacts SC : Crimp Socket contacts
⑥ Alternate Insert Position	Omit : Normal position "W", "X", "Y", "Z" : Refer to page 4
⑦ Backshell	BSL : Waterproof Straight Backshell
⑧ Applicable Cable Diameter	1 ~ 8 : With waterproof cable clamp

Shell Size	φ D	L
10SL	22.8	80.0
12S	25.6	79.0
14S	29.2	85.7
16S	32.0	89.3
16	32.0	95.8
18	36.5	96.3
20	39.9	98.4
22	43.1	104.1
24	46.6	113.4
28	53.4	118.1
32	59.7	125.9
36	66.0	129.8

## ▶ Straight Plug Connector

DCA3106F18-□□P□-BSN-□  
 ① ② ③ ④ ⑤ ⑥ ⑦ ⑧

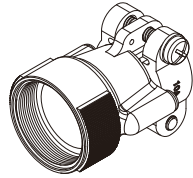


◎ Cable clamp (DMS3057-□□AK) is available.

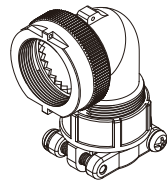
① Connector Series	3106 : Straight Plug
② Gasket	F : With Gasket
③ Shell Size	10SL, 12S, 14S, 16S, 16, 18, 20, 22, 24, 28, 32, 36
④ Insert Arrangement	Refer to page 2 ~ 3
⑤ Contact Style	P : Pin contacts S : Socket contacts PC : Crimp Pin contacts SC : Crimp Socket contacts
⑥ Alternate Insert Position	Omit : Normal position "W", "X", "Y", "Z" : Refer to page 4
⑦ Backshell	BSN : Non - waterproof straight backshell
⑧ Applicable Cable Diameter	0 : With non - waterproof cable clamp

Shell Size	φ D	L
10SL	22.8	55.4
12S	25.6	56.5
14S	29.2	56.9
16S	32.0	62.5
16	32.0	69.0
18	36.5	70.1
20	39.9	74.1
22	43.1	73.6
24	46.6	76.7
28	53.4	79.6
32	59.7	77.7
36	66.0	79.7

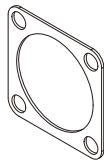
Backshell



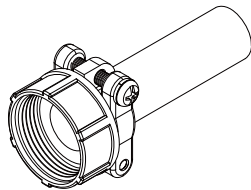
Standard Backshell  
DMSE- □□□□ BS- □



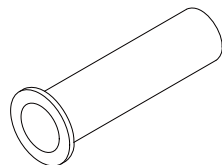
Angle Backshell  
DMSE- □□□□ BA- □



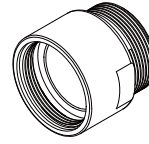
Front Gasket of Receptacle  
DCA- □□□□ FG



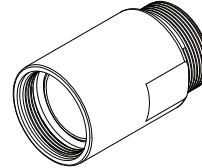
Cable Clamp  
DMS3057- □□ AK- □



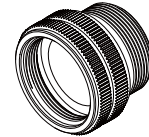
Rubber Bushing  
AN3420- □□ A



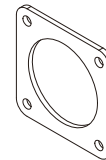
Waterproof Straight Backshell  
DMSE- □□□□ BSS- □



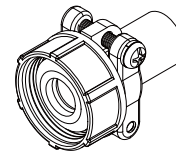
Waterproof Long Straight Backshell  
DMSE- □□□□ BSSL- □



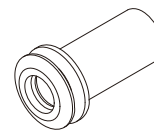
Straight Backshell  
DMSE- □□□□ BSN- □



Rear Gasket of Receptacle  
DMS- □□□□ RG



Waterproof Cable Clamp  
CE3057- □□ A- □



Waterproof Rubber Bushing  
CE3420- □□ - □